



# REFRIGERATOR USER INSTRUCTIONS

THANK YOU for purchasing this high-quality product. If you should experience a problem not covered in TROUBLESHOOTING, please visit our website at [www.whirlpool.com](http://www.whirlpool.com) for additional information. If you still need assistance, call us at 1-800-253-1301. In Canada, visit our website at [www.whirlpool.ca](http://www.whirlpool.ca) or call us at 1-800-807-6777.

You will need your model and serial number, located on the inside wall of the refrigerator compartment.

## Table of Contents/Índice/Table des matières

REFRIGERATOR SAFETY .....	1	SEGURIDAD DEL REFRIGERADOR.....	14	SÉCURITÉ DU RÉFRIGÉRATEUR .....	29
INSTALLATION INSTRUCTIONS.....	2	INSTRUCCIONES DE INSTALACIÓN.....	15	INSTRUCTIONS D'INSTALLATION .....	30
REFRIGERATOR USE.....	8	USO DE SU REFRIGERADOR.....	21	UTILISATION DU RÉFRIGÉRATEUR.....	36
REFRIGERATOR CARE.....	10	CUIDADO DE SU REFRIGERADOR .....	23	ENTRETIEN DU RÉFRIGÉRATEUR.....	38
TROUBLESHOOTING .....	11	SOLUCIÓN DE PROBLEMAS .....	25	DÉPANNAGE .....	40
WARRANTY .....	13	GARANTÍA .....	27	GARANTIE .....	42

## REFRIGERATOR SAFETY

### Your safety and the safety of others are very important.

We have provided many important safety messages in this manual and on your appliance. Always read and obey all safety messages.



This is the safety alert symbol.

This symbol alerts you to potential hazards that can kill or hurt you and others.

All safety messages will follow the safety alert symbol and either the word "DANGER" or "WARNING."

These words mean:

**⚠ DANGER**

You can be killed or seriously injured if you don't immediately follow instructions.

**⚠ WARNING**

You can be killed or seriously injured if you don't follow instructions.

All safety messages will tell you what the potential hazard is, tell you how to reduce the chance of injury, and tell you what can happen if the instructions are not followed.

## IMPORTANT SAFETY INSTRUCTIONS

**WARNING:** To reduce the risk of fire, electric shock, or injury to persons when using the refrigerator, follow basic precautions, including the following:

- Plug into a grounded 3 prong outlet.
- Do not remove ground prong.
- Do not use an adapter.
- Do not use an extension cord.
- Disconnect power before servicing.
- Replace all parts and panels before operating.
- Remove doors from your old refrigerator.
- Use nonflammable cleaner.
- Keep flammable materials and vapors, such as gasoline, away from refrigerator.
- Use two or more people to move and install refrigerator.
- Disconnect power before installing ice maker (on ice maker kit ready models only).

### SAVE THESE INSTRUCTIONS

## Proper Disposal of Your Old Refrigerator

### **WARNING**

#### Suffocation Hazard

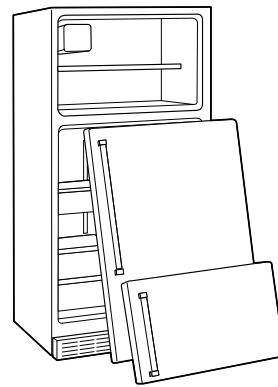
Remove doors from your old refrigerator.

Failure to do so can result in death or brain damage.

**IMPORTANT:** Child entrapment and suffocation are not problems of the past. Junked or abandoned refrigerators are still dangerous – even if they will sit for “just a few days.” If you are getting rid of your old refrigerator, please follow these instructions to help prevent accidents.

### Before You Throw Away Your Old Refrigerator or Freezer:

- Take off the doors.
- Leave the shelves in place so that children may not easily climb inside.



## INSTALLATION INSTRUCTIONS

### Unpack the Refrigerator

### **WARNING**

#### Excessive Weight Hazard

Use two or more people to move and install refrigerator.

Failure to do so can result in back or other injury.

- There are four bolts that secure the refrigerator to the shipping case. These bolts are not used to level the refrigerator. To level the refrigerator see “Adjust the Doors.”
- Dispose of/recycle all packaging materials.

**IMPORTANT:** Do not remove the white foam air return insert that is located behind the control panel on the ceiling of the refrigerator (on some models). The insert is part of the refrigerator and not part of the packing material. If the insert is removed, ice may migrate down from the freezer and cause icicles to form.

### Remove the Packaging

- Remove tape and glue residue from surfaces before turning on the refrigerator. Rub a small amount of liquid dish soap over the adhesive with your fingers. Wipe with warm water and dry.
- Do not use sharp instruments, rubbing alcohol, flammable fluids, or abrasive cleaners to remove tape or glue. These products can damage the surface of your refrigerator. For more information, see “Refrigerator Safety.”
- On some models, shelves, bins, door shelf rails, and other feature parts may be packaged in the Interior FeaturePak. Follow the instructions contained in the package for proper assembly.

### When Moving Your Refrigerator:

Your refrigerator is heavy. When moving the refrigerator for cleaning or service, be sure to cover the floor with cardboard or hardboard to avoid floor damage. Always pull the refrigerator straight out when moving it. Do not wiggle or “walk” the refrigerator when trying to move it, as floor damage could occur.

## Clean Before Using

After you remove all of the package materials, clean the inside of your refrigerator before using it. See the cleaning instructions in "Refrigerator Care."

### Important information to know about glass shelves and covers:

Do not clean glass shelves or covers with warm water when they are cold. Shelves and covers may break if exposed to sudden temperature changes or impact, such as bumping. Tempered glass is designed to shatter into many small, pebble-size pieces. This is normal. Glass shelves and covers are heavy. Use both hands when removing them to avoid dropping.

## Location Requirements

### ⚠ WARNING



#### Explosion Hazard

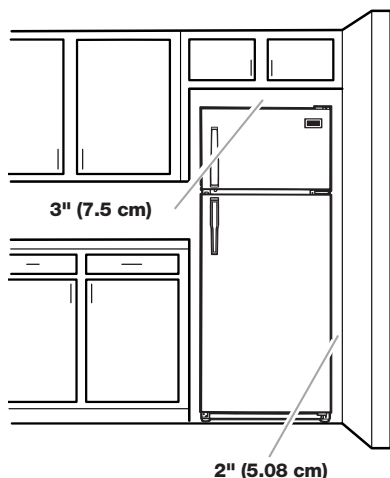
**Keep flammable materials and vapors, such as gasoline, away from refrigerator.**

**Failure to do so can result in death, explosion, or fire.**

To ensure proper ventilation for your refrigerator, allow for a ½" (12.70 mm) space on each side. Allow 3" (7.5 cm) of space between overhead cabinets and refrigerator top. Allow at least 1" (25.40 mm) between back of cabinet and the wall. If your refrigerator has an ice maker, make sure you leave some extra space at the back for the water line connections.

- If you are installing your refrigerator next to a fixed wall, leave 2" (5.08 cm) minimum on the hinge side (depending on your model) to allow for the door to swing open.
- Level the refrigerator. See "Adjust the Doors."

**NOTE:** It is recommended that you do not install the refrigerator near an oven, radiator, or other heat source. Do not install in a location where the temperature will fall below 55°F (13°C).



## Electrical Requirements

### ⚠ WARNING



#### Electrical Shock Hazard

**Plug into a grounded 3 prong outlet.**

**Do not remove ground prong.**

**Do not use an adapter.**

**Do not use an extension cord.**

**Failure to follow these instructions can result in death, fire, or electrical shock.**

Before you move your refrigerator into its final location, it is important to make sure you have the proper electrical connection.

#### Recommended Grounding Method

A 115 Volt, 60 Hz., AC only 15- or 20-amp fused, grounded electrical supply is required. It is recommended that a separate circuit serving only your refrigerator be provided. Use an outlet that cannot be turned off by a switch. Do not use an extension cord.

**NOTE:** Before performing any type of installation, cleaning, or removing a light bulb, turn cooling off and/or disconnect the refrigerator from the electrical source.

**Style 1** - Dial control models. Turn the control to OFF and then disconnect the refrigerator from the electrical source.

**Style 2** - Electronic control models. Disconnect the refrigerator from the electrical source.

When you are finished, reconnect the refrigerator to the electrical source and reset the control to the desired setting. See "Using the Control(s)."

## Water Supply Requirements

Read all directions before you begin.

#### IMPORTANT:

- If you turn the refrigerator on before the water line is connected, turn the ice maker OFF.
- All installations must meet local plumbing code requirements.
- Use copper tubing and check for leaks. Install copper tubing only in areas where the household temperatures will remain above freezing.

**TOOLS NEEDED:** Flat-blade screwdriver, 7/16" and 1/2" open-end wrenches or 2 adjustable wrenches, 1/4" nut driver and drill bit, cordless drill. Gather the required tools and parts before starting installation. Read and follow the instructions provided with any tools listed.

**NOTE:** Your refrigerator dealer has a kit available with a 1/4" (6.35 mm) saddle-type shutoff valve, a union, and copper tubing. Before purchasing, make sure a saddle-type valve complies with your local plumbing codes. Do not use a piercing-type or 3/16" (4.76 mm) saddle valve which reduces water flow and clogs more easily.

#### Water Pressure

A cold water supply with water pressure of between 30 and 120 psi (207 and 827 kPa) is required to operate the ice maker. If you have questions about your water pressure, call a licensed, qualified plumber.

## Reverse Osmosis Water Supply

If a reverse osmosis water filtration system is connected to your cold water supply, the water pressure to the reverse osmosis system needs to be a minimum of 40 to 60 psi (276 to 414 kPa).

If the ice maker is still not operating properly:

- Check to see whether the sediment filter in the reverse osmosis system is blocked. Replace the filter if necessary.
- Allow the storage tank on the reverse osmosis system to refill after heavy usage.

If you have questions about your water pressure, call a licensed, qualified plumber.

## Connect the Water Supply

(on some models)

Read all directions before you begin.

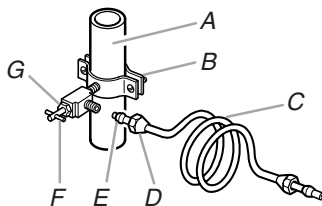
**IMPORTANT:** If you turn the refrigerator on before the water line is connected, turn the ice maker OFF.

### Connect to Water Line

1. Unplug refrigerator or disconnect power.
2. Turn OFF main water supply. Turn ON nearest faucet long enough to clear line of water.
3. Locate a ½" to 1¼" (1.27 cm to 3.18 cm) vertical cold water pipe near the refrigerator.

#### IMPORTANT:

- Make sure it is a cold water pipe.
  - Horizontal pipe will work, but drill on the top side of the pipe, not the bottom. This will help keep water away from the drill and normal sediment from collecting in the valve.
4. Determine the length of copper tubing you will need. Measure from the connection on lower left rear of refrigerator to the water pipe. Add 7 ft (2.1 m) to allow for cleaning. Use ¼" (6.35 mm) O.D. (outside diameter) copper tubing. Be sure both ends of copper tubing are cut square.
  5. Using a cordless drill, drill a ¼" hole in the cold water pipe you have selected.



A. Cold water pipe      E. Compression sleeve  
 B. Pipe clamp          F. Shutoff valve  
 C. Copper tubing      G. Packing nut  
 D. Compression nut

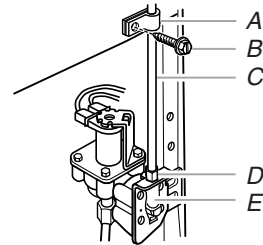
6. Fasten the shutoff valve to the cold water pipe with the pipe clamp. Be sure the outlet end is solidly in the ¼" drilled hole in the water pipe and that the washer is under the pipe clamp. Tighten the packing nut. Tighten the pipe clamp screws slowly and evenly so washer makes a watertight seal. Do not overtighten.
7. Slip the compression sleeve and compression nut on the copper tubing as shown. Insert the end of the tubing into the outlet end squarely as far as it will go. Screw compression nut onto outlet end with adjustable wrench. Do not overtighten.
8. Place the free end of the tubing in a container or sink, and turn ON the main water supply. Flush the tubing until water is clear. Turn OFF the shutoff valve on the water pipe. Coil the copper tubing.

## Connect to Refrigerator

**NOTE:** On kit models, assemble water valve to refrigerator according to kit instructions.

### Style 1

1. Unplug refrigerator or disconnect power.
2. Attach the copper tube to the valve inlet using a compression nut and sleeve as shown. Tighten the compression nut. Do not overtighten.
3. Use the tube clamp on the back of the refrigerator to secure the tubing to the refrigerator as shown. This will help avoid damage to the tubing when the refrigerator is pushed back against the wall.
4. Turn shutoff valve ON.
5. Check for leaks. Tighten any connections (including connections at the valve) or nuts that leak.

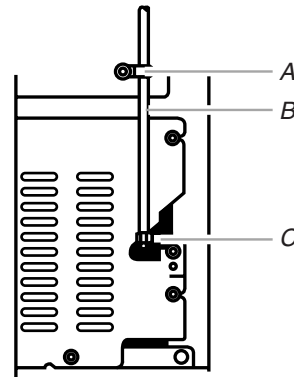


A. Tube clamp                      D. Compression nut  
 B. Tube clamp screw          E. Valve inlet  
 C. Copper tubing

6. The ice maker is equipped with a built-in water strainer. If your water conditions require a second water strainer, install it in the ¼" (6.35 mm) water line at either tube connection. Obtain a water strainer from your nearest appliance dealer.

### Style 2

1. Unplug refrigerator or disconnect power.
2. Disconnect the tube clamp on the back of the product and insert the copper tubing through the clamp as shown.
3. Attach the copper tube to the valve inlet using a compression nut and sleeve as shown.
4. Tighten the compression nut. Do not overtighten. Reattach the tube clamp and tube to the back of the cabinet.



A. Tube clamp                      C. Compression nut  
 B. Copper tubing

5. Turn shutoff valve ON. Check for leaks. Tighten any connections (including connections at the valve) or nuts that leak.
6. The ice maker is equipped with a built-in water strainer. If your water conditions require a second water strainer, install it in the ¼" (6.35 mm) water line at either tube connection. Obtain a water strainer from your nearest appliance dealer.

## Complete the Installation

### **⚠ WARNING**



#### Electrical Shock Hazard

**Plug into a grounded 3 prong outlet.**

**Do not remove ground prong.**

**Do not use an adapter.**

**Do not use an extension cord.**

**Failure to follow these instructions can result in death, fire, or electrical shock.**

1. Plug into a grounded 3 prong outlet.

**NOTE:** Allow 24 hours to produce the first batch of ice. Discard the first three batches of ice produced. Allow 3 days to completely fill ice container.

## Refrigerator Doors

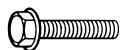
It may be necessary to remove the doors to allow the refrigerator to pass through the doorway of your home. See the instructions below to remove and replace the doors.

#### IMPORTANT:

- The doors are not reversible.
- Remove the entire door, not just the handles. It is more difficult to replace the handles correctly.
- Your refrigerator has either Dial controls (**Style 1**) or Electronic controls (**Style 2**). Follow the instructions and graphics specific to your model.
- Before you begin, turn the refrigerator control OFF. Unplug refrigerator or disconnect power.
- Remove food and adjustable door or utility bins from doors.
- All graphics referenced in the following instructions are included later in this section.

**TOOLS NEEDED:**  $\frac{5}{16}$ " hex head socket wrench, #2 Phillips screwdriver, flat-blade screwdriver,  $\frac{5}{16}$ " open-end wrench, flat 2" putty knife.

## Remove Doors and Hinges



$\frac{5}{16}$ " Hex head hinge screw

1. Unplug refrigerator or disconnect power.
2. Close the refrigerator door and keep both doors closed until you are ready to lift them free from the cabinet.  
**NOTE:** Provide additional support for the doors while the hinges are being moved. Do not depend on the door magnets to hold the doors in place while you are working.

3. Remove the top hinge cover as shown in Top Hinge graphic.  
**Style 1** - Dial Control Models - Remove the parts for the top hinge as shown in Top Hinge graphic.  
**Style 2** - Electronic Control Models - Remove the hinge cover. Disconnect the wiring plug located on top of the hinge by wedging a flat-blade screwdriver or your fingernail between the two sections. Remove the parts for the top hinge as shown in Top Hinge graphic.
4. Lift the freezer door free from the cabinet.
5. Remove the parts for the center hinge as shown in the Center Hinge graphic. Lift the refrigerator door free from the cabinet.
6. Remove the parts for the bottom hinge as shown in the Bottom Hinge graphic.

## Replace Doors and Hinges

**NOTE:** Graphic may be reversed if door swing is reversed.

1. Replace the parts for the bottom hinge as shown. Tighten screws. Replace the refrigerator door.  
**NOTE:** Provide additional support for the doors while the hinges are being moved. Do not depend on the door magnets to hold the doors in place while you are working.
2. Assemble the parts for the center hinge as shown and tighten all screws. See Center Hinge graphic. Replace the freezer door.
3. Assemble the parts for the top hinge as shown in either **Style 1** graphic or **Style 2** graphic, depending on your model.  
**Style 1** - Dial Control models - Replace spacer and hinge. Do not tighten screws completely.  
**Style 2** - Electronic Control models - Replace spacer and hinge. Reconnect wiring harness.
4. Line up the doors so that the bottom of the freezer door aligns evenly with the top of the refrigerator door. Tighten all screws and replace the hinge cover. See Top Hinge graphic.

## Final Steps

### **⚠ WARNING**



#### Electrical Shock Hazard

**Plug into a grounded 3 prong outlet.**

**Do not remove ground prong.**

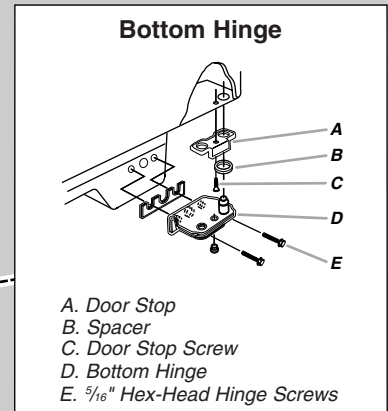
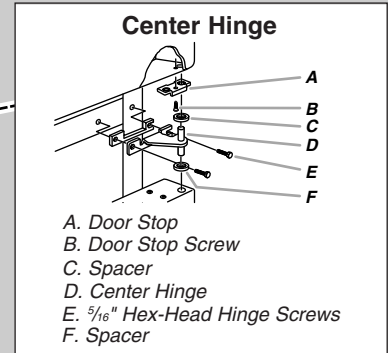
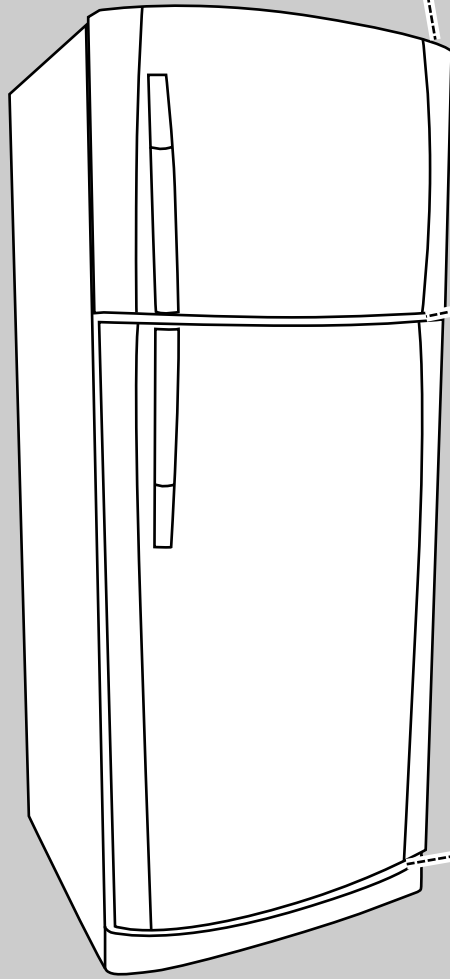
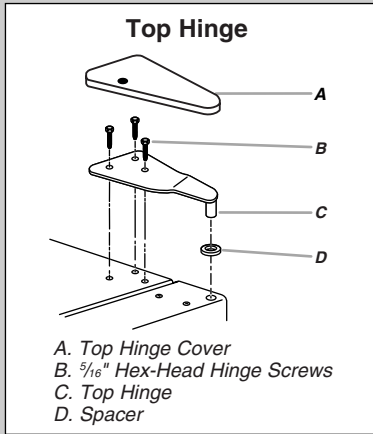
**Do not use an adapter.**

**Do not use an extension cord.**

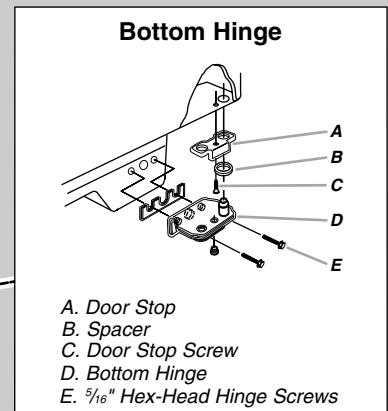
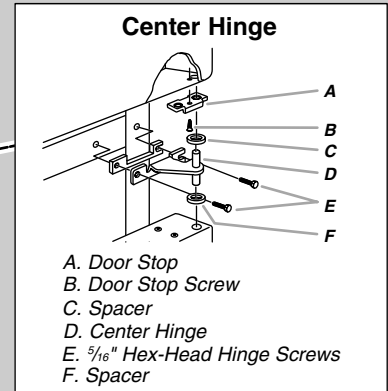
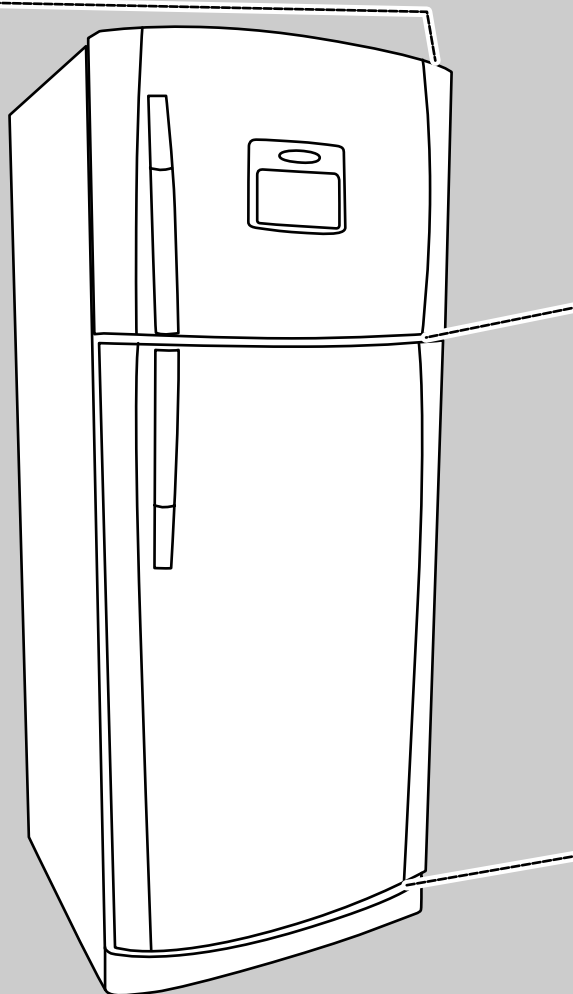
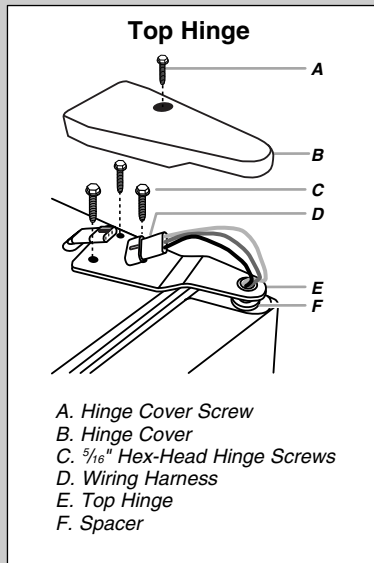
**Failure to follow these instructions can result in death, fire, or electrical shock.**

1. Plug into a grounded 3 prong outlet.
2. Reset the controls. See "Using the Control(s)."
3. Return all removable door parts to doors and food to refrigerator.

### Door Removal & Replacement



## Door Removal & Replacement



## Adjust the Doors

Your refrigerator has two front adjustable rollers – one on the right and one on the left. If your refrigerator seems unsteady or you want the doors to close easier, adjust the refrigerator's tilt using the instructions below.

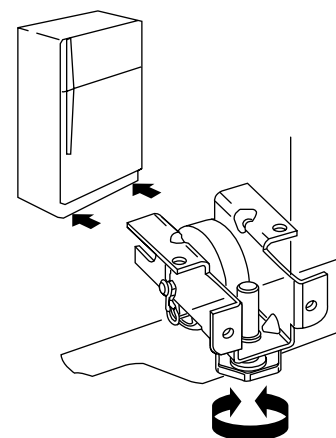
Depending on your model, your refrigerator may have leveling legs (**Style 1**) or leveling screws (**Style 2**). They are part of the front roller assemblies which are found at the base of the refrigerator on either side.

1. Turn the leveling legs or leveling screws to the right to raise that side of the refrigerator or to the left to lower that side. It may take several turns to adjust the tilt of the refrigerator.

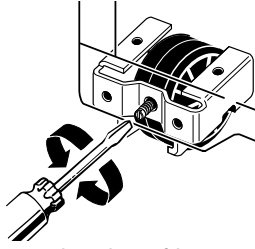
**NOTE:** Having someone push against the top of the refrigerator takes some weight off the leveling screws and rollers. This makes it easier to adjust the screws.

2. Open both doors again and be sure that they close as easily as you like. If not, tilt the refrigerator slightly more to the rear by turning both leveling screws to the right. It may take several more turns, and you should turn both leveling screws the same amount.

### Style 1



**Style 2**



- 3. Using a level, be sure that the refrigerator is still level side to side. Readjust if necessary.

## REFRIGERATOR USE

### Using the Controls

Your refrigerator may have either dial or electronic controls. Follow the instructions specific to your model.

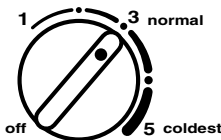
**IMPORTANT:**

- Wait 24 hours for your refrigerator to cool completely before adding food. If you add food before the refrigerator has cooled completely, your food may spoil.  
**NOTE:** Adjusting the Refrigerator and Freezer Controls to a colder than recommended setting will not cool the compartments any faster.
- The recommended settings should be correct for normal household refrigerator use. The controls are set correctly when milk or juice is as cold as you like and when ice cream is firm.
- If the temperature is too warm or too cold in the refrigerator or freezer, before adjusting the controls, first make sure the air vents are not blocked.

### Dial Control (on some models)

For your convenience, the controls are preset at the factory. When you first install your refrigerator, make sure that the controls are still preset to the recommended setting as shown.

**Recommended-setting "3"**



**To Turn OFF:**

Turn the refrigerator control to the word OFF. Your refrigerator will not cool when the refrigerator control is set to OFF.

#### Adjusting Dial Control

If you need to adjust temperatures, use the settings listed in the chart below as a guide. On models with two controls, adjust the refrigerator temperature first. Wait at least 24 hours between adjustments and then recheck the temperatures.

CONDITION/REASON:	ADJUSTMENT:
REFRIGERATOR too warm	TEMPERATURE Control one setting higher
FREEZER too warm/too little ice	TEMPERATURE Control one setting higher
REFRIGERATOR too cold	TEMPERATURE Control one setting lower
FREEZER too cold	TEMPERATURE Control one setting lower

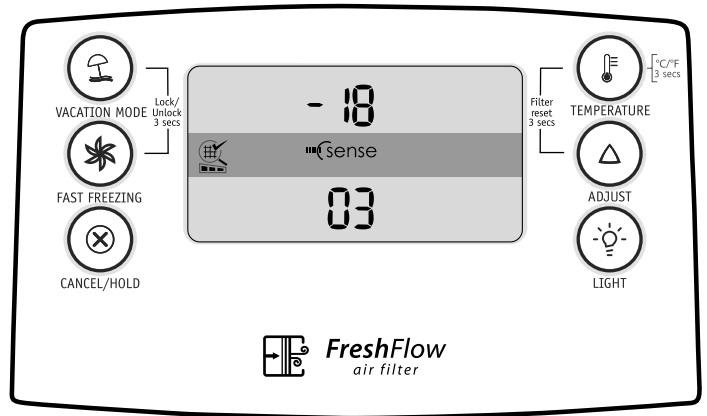
## Electronic Control Panel

(on some models)

Your refrigerator features an easy to use electronic control panel located on the front of the freezer compartment door.

- To conserve power, the display screen will dim and remain unlit until you press a button. Once you touch any button, the display screen lights up to enable you to select the desired control feature.
- The electronic control panel displays the internal temperature of each compartment.
- For your convenience, your refrigerator controls are preset at the factory. When you first install your refrigerator, make sure that the controls are still preset to the recommended setting as shown.
- By default, temperatures are displayed in Celsius. To switch to Fahrenheit, press and hold the Temperature button for 3 seconds.

### Recommended settings



**To Turn OFF:**

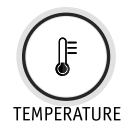
Unplug the refrigerator.

#### Adjusting Temperature Controls

- When you adjust the temperature of one compartment, the control will automatically act to balance the temperature of the other compartment to attain an energy and performance balance.
- Except when first turning on the refrigerator, do not adjust either the refrigerator or freezer compartment temperature more than one setting at a time. Wait 24 hours between adjustments for the temperature to stabilize.

**To Adjust Set Point Temperatures:**

1. Press the Temperature button. Both sections of the display screen will start to blink. If they do not, press the Temperature button again.
2. Press the Adjust button until the desired temperatures appear.
3. Press the Temperature button again to set the temperature, or wait 15 seconds and the new settings will be saved. The display screen will stop blinking.



CONDITION/REASON:	ADJUSTMENT:
REFRIGERATOR too warm	TEMPERATURE Control one setting higher
FREEZER too warm/too little ice	TEMPERATURE Control one setting higher
REFRIGERATOR too cold	TEMPERATURE Control one setting lower
FREEZER too cold	TEMPERATURE Control one setting lower

### Additional Electronic Control Panel Features

#### Vacation Mode

The vacation mode feature allows you to operate the refrigerator with maximum energy savings while you are away from home.

Vacation mode does not affect the previous temperature settings, it just modifies them while the feature is on.

**NOTE:** No other feature can be turned on when the control is in vacation mode.

- Press the Fast Freezing button to set the freezer to the lowest temperature setting. The display screen will show downward arrows to indicate the freezer is cooling rapidly.
- Press the Cancel/Hold button to return to the normal operation settings. The Vacation mode will turn off automatically when it senses the doors have been open and closed seven (or more) times.



VACATION MODE

#### Fast Freezing

The fast freezing feature assists with temporary periods of heavy ice use by increasing ice production.

- Press the Fast Freezing button to set the freezer to the lowest temperature setting. The display screen will show downward arrows to indicate the freezer is cooling rapidly.
- Press the Cancel/Hold button to return to the normal freezer set point.



FAST FREEZING

#### Hold Mode

The hold mode feature allows you to have the refrigerator door open for 15 minutes, after grocery shopping, without affecting the operation of the refrigerator or causing it to lose performance because the door is open.

The hold mode does not affect the refrigerator temperature settings.

- Press the Cancel/Hold button. The information on the display screen will start to blink.
- Press the Cancel/Hold button again to return to the previously set temperature settings as quickly as possible.



CANCEL/HOLD

#### Lock/Unlock

The Lock feature allows you to lock the control buttons to avoid unintentional setting changes by small children or pets.

- Press and hold the Vacation Mode and Fast Freezing controls simultaneously for 3 seconds. A warning sign and a key icon will appear on the display screen.

**NOTE:** If you try to press a control when the refrigerator is in Lock mode, the control will beep and the icons will blink.

- Press and hold the Vacation Mode and Fast Freezing controls simultaneously for 3 seconds or until the control beeps and the warning sign and a key icon disappear from the display screen.



VACATION MODE



FAST FREEZING

#### Door Ajar Alarm

The Door Ajar alarm sounds when a refrigerator or freezer door remains open for more than 2 minutes and the compartment temperature rises 4°F or 6°F respectively. A warning sign and an open door icon will appear on the display screen.

To turn off the alarm, close the door or press the Cancel/Hold button.

#### Air Filter Reset

Restart the air filter status tracking feature each time you replace the air filter. See "Changing the Air Filter."

- Press and hold the Temperature and Adjust controls simultaneously for 3 seconds



TEMPERATURE



ADJUST

- When the status indicator is reset, the full bar will appear below the Filter icon on the display screen, as shown.



### Ice Maker

(on some models - Accessory)

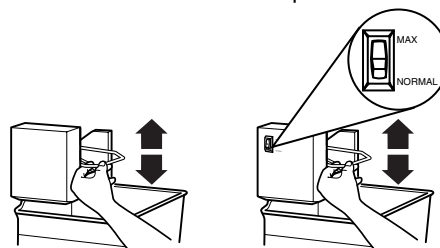
#### Turning the Ice Maker On/Off

**NOTE:** Do not force the wire shutoff arm up or down.

- To turn the ice maker on, simply lower the wire shutoff arm.

**NOTE:** Your ice maker has an automatic shutoff. As ice is made, the ice cubes will fill the ice storage bin and the ice cubes will raise the wire shutoff arm to the OFF (arm up) position.

- To manually turn the ice maker off, lift the wire shutoff arm to the OFF (arm up) position and listen for the click to make sure the ice maker will not continue to operate.



---

### Ice Production Rate

---

- **NORMAL Ice Production:** The ice maker should produce approximately 8 to 12 batches of ice in a 24-hour period. If ice is not being made fast enough, turn the Freezer Control toward a higher (colder) number in half number steps. (For example, if the control is at 3, move it to between 3 and 4.) Wait 24 hours and, if necessary, gradually turn the Freezer Control to the highest setting, waiting 24 hours between each increase.
- **MAXIMUM Ice Production** (on some models): The ice maker should produce approximately 16 to 20 batches of ice in a 24-hour period. If your refrigerator has the maximum ice production feature, push the switch to MAX.

---

### Remember

---

- Allow 24 hours to produce the first batch of ice. Discard the first three batches of ice produced.
- The quality of your ice will be only as good as the quality of the water supplied to your ice maker. Avoid connecting the ice maker to a softened water supply. Water softener chemicals (such as salt) can damage parts of the ice maker and lead to poor quality ice. If a softened water supply cannot be avoided, make sure the water softener is operating properly and is well maintained.
- Do not store anything on top of the ice maker or in the ice storage bin.

---

## REFRIGERATOR CARE

---

### Cleaning

#### **WARNING**



#### **Explosion Hazard**

**Use nonflammable cleaner.**

**Failure to do so can result in death, explosion, or fire.**

Both the refrigerator and freezer sections defrost automatically. However, clean both compartments about once a month to avoid buildup of odors. Wipe up spills immediately.

#### **IMPORTANT:**

- Because air circulates between both sections, any odors formed in one section will transfer to the other. You must thoroughly clean both sections to eliminate odors. To avoid odor transfer and drying out of food, wrap or cover foods tightly.
- For stainless steel models, stainless steel is corrosion-resistant and not corrosion-proof. To help avoid corrosion of your stainless steel, keep your surfaces clean by using the following cleaning instructions.

### To Clean Your Refrigerator:

**NOTE:** Do not use abrasive or harsh cleaners such as window sprays, scouring cleansers, flammable fluids, muriatic acid, cleaning waxes, concentrated detergents, bleaches or cleansers containing petroleum products on exterior surfaces (doors and cabinet), plastic parts, interior and door liners or gaskets. Do not use paper towels, scouring pads, or other harsh cleaning tools.

1. Unplug refrigerator or disconnect power.
2. Hand wash, rinse, and dry removable parts and interior surfaces thoroughly. Use a clean sponge or soft cloth and a mild detergent in warm water.
3. Clean the exterior surfaces.  
**Painted metal:** Wash painted metal exteriors with a clean, soft cloth or sponge and a mild detergent in warm water. Rinse surfaces with clean, warm water and dry immediately to avoid water spots.  
**Stainless steel:** Wash stainless steel surfaces with a clean, soft cloth or sponge and a mild detergent in warm water. Rinse surfaces with clean, warm water and dry immediately to avoid water spots.  
**NOTE:** When cleaning stainless steel, always wipe with the grain to avoid cross-grain scratching.
4. Clean the condenser coils regularly. Coils may need to be cleaned as often as every other month. This may help save energy.
  - Pull refrigerator out away from the wall. See "Unpack the Refrigerator."
  - Vacuum coils when they are dusty or dirty.
  - Roll refrigerator back into place. Make sure to leave 1" (2.5 cm) between the cabinet back and the wall.
  - Check to see that the refrigerator is level.
5. Plug in refrigerator or reconnect power.

---

### Changing the Light Bulbs

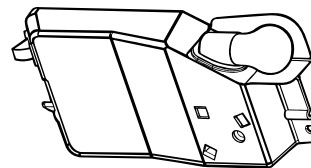
---

#### Refrigerator Light

---

**NOTE:** Not all appliance bulbs will fit your refrigerator. Be sure to replace the bulb with an appliance bulb of the same size, shape, and wattage (no greater than 40 watts).

1. Unplug refrigerator or disconnect power.
2. Reach behind the control panel and unscrew the bulb.
3. Replace the bulb with a 40-watt appliance bulb.
4. Plug in refrigerator or reconnect power.



---

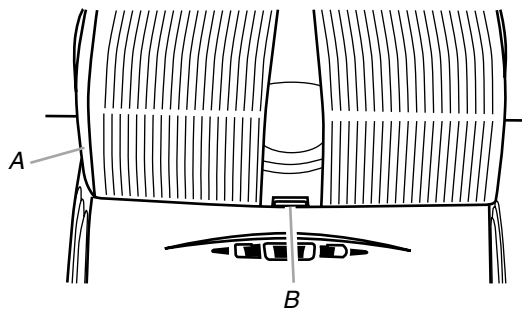
#### Freezer Light (on some models)

---

**NOTE:** Not all appliance bulbs will fit your refrigerator. Be sure to replace the bulb with an appliance bulb of the same size, shape, and wattage (no greater than 15 watts).

1. Unplug refrigerator or disconnect power.
2. Remove the freezer shelf.
3. Using a flat-blade screwdriver, release the lock in the center of the light shield.
4. Grasp both ends of the light shield and gently press in to release it from the evaporator cover.

5. Replace the burned-out bulb with a 15 watt, T25 appliance bulb with an E14 base.
- NOTE:** This appliance bulb can be ordered from our service department or from an appliance replacement parts supplier.



A. Light shield  
B. Light shield lock

6. Replace the light shield.  
7. Plug in refrigerator or reconnect power.

### Changing the Air Filter

Your refrigerator has a FreshFlow air filter, located in the vent grille in the inside wall above the crisper cover.

The FreshFlow air filter fights odors produced by food and is up to 15 times more effective than baking soda, which helps to maintain a cleaner environment inside the refrigerator.

**IMPORTANT:** The disposable air filter should be replaced every 6 months because it gradually loses its odor-fighting properties.

### Air Filter Status

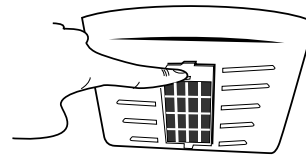
- The Filter icon on the control panel display will let you know when it is time to change the air filter. The status indicator bar below the icon will decrease and gradually disappear, and the indicator will start blinking.
- After replacing the air filter, press and hold the Temperature and Adjust controls simultaneously for 3 seconds. The status indicator bar will appear on the display. See “Using the Controls.”

**NOTE:** You do not have to wait for the indicator bar to disappear; you can reset the status tracking feature as needed.

### Replacing the Air Filter

To order a replacement air filter, contact Whirlpool using the assistance or service information following the warranty.

1. With your index finger, press the upper tab of the filter cartridge and then pull gently until the cartridge is released.
2. Insert the new filter into the cavity and push gently until it snaps into place.



## TROUBLESHOOTING

First try the solutions suggested here or visit our website and reference FAQs (Frequently Asked Questions) to possibly avoid the cost of a service call.

In the U.S.A., [www.whirlpool.com](http://www.whirlpool.com) In Canada, [www.whirlpool.ca](http://www.whirlpool.ca)

### Refrigerator Operation

#### The refrigerator will not operate

### ⚠ WARNING



#### Electrical Shock Hazard

- Plug into a grounded 3 prong outlet.
- Do not remove ground prong.
- Do not use an adapter.
- Do not use an extension cord.
- Failure to follow these instructions can result in death, fire, or electrical shock.

- **Power cord unplugged?** Plug into a grounded 3 prong outlet.
- **Is outlet working?** Plug in a lamp to see if the outlet is working.

- **Household fuse blown or circuit breaker tripped?** Replace the fuse or reset the circuit breaker. If the problem continues, call an electrician.
  - **Control(s) on?** Make sure the refrigerator control is on. See “Using the Control(s).”
  - **New installation?** Allow 24 hours following installation for the refrigerator to cool completely.
- NOTE:** Adjusting the temperature control(s) to coldest setting will not cool the refrigerator more quickly.

#### The motor seems to run too much

Your new refrigerator may run longer than your old one due to its high-efficiency compressor and fans. The unit may run even longer if the room is warm, a large food load is added, the door is opened often, or if the door has been left open.

---

### The refrigerator seems noisy

---

Refrigerator noise has been reduced over the years. Due to this reduction, you may hear intermittent noises from your new refrigerator that you did not notice from your old model. Below are listed some normal sounds with explanations.

- **Pulsating** - fans/compressor adjusting to optimize performance.
- **Hissing/Rattling** - flow of refrigerant, movement of water lines, or from items placed on top of the refrigerator.
- **Popping** - contraction/expansion of inside walls, especially during initial cool-down.
- **Water running/dripping/sizzling** - may be heard when ice melts during defrosting and water runs into the drain pan. Water dripping onto the piping can be heard for a few minutes after the refrigerator stops running.
- **Soft murmur/buzzing** - the fan and air moving.
- **Beeping** - Door Ajar alarm (on some models) - If the door(s) are left open for more than 2 minutes, the Door Ajar alarm will start beeping and will continue to beep until the door(s) are closed.

---

### The door will not close completely

---

- **Door blocked open?** Move food packages away from door.
- **Bin or shelf in the way?** Push bin or shelf back in the correct position.
- **Crisper cover in the way?** Make sure the crisper cover is fully pushed in, so that the back rests on the supports.

---

### The door is difficult to open

---

## WARNING



### Explosion Hazard

Use nonflammable cleaner.

Failure to do so can result in death, explosion, or fire.

- **Gaskets dirty or sticky?** Clean gaskets and contact surfaces with mild soap and warm water. Rinse and dry with soft cloth.

---

## Temperature and Moisture

---

### Temperature is too warm

---

- **New installation?** Allow 24 hours following installation for the refrigerator to cool completely.
- **Door opened often or left open?** Allows warm air to enter refrigerator. Minimize door openings and keep door fully closed.
- **Large load of food added?** Allow several hours for refrigerator to return to normal temperature.
- **Control(s) set correctly for the surrounding conditions?** Adjust the control(s) a setting colder. Check temperature in 24 hours. See "Using the Control(s)."

---

### There is interior moisture buildup

---

**NOTE:** Some moisture buildup is normal.

- **Humid room?** Contributes to moisture buildup.
- **Door opened often or left open?** Allows humid air to enter refrigerator. Minimize door openings and keep door fully closed.

---

## Ice and Water

---

### The ice maker is not producing ice or not enough ice

---

- **Refrigerator connected to a water supply and the supply shutoff valve turned on?** Connect refrigerator to water supply and turn water shutoff valve fully open.
- **Kink in the water source line?** A kink in the line can reduce water flow. Straighten the water source line.
- **Ice maker turned on?** Make sure wire shutoff arm or switch (depending on model) is in the ON position.
- **New installation?** Wait 24 hours after ice maker installation for ice production to begin. Wait 72 hours for full ice production.
- **Large amount of ice recently removed?** Allow 24 hours for ice maker to produce more ice.
- **Ice cube jammed in the ice maker ejector arm?** Remove ice from the ejector arm with a plastic utensil.
- **Reverse osmosis water filtration system connected to your cold water supply?** This can decrease water pressure. See "Water Supply Requirements."

---

### The ice cubes are hollow or small

---

**NOTE:** This is an indication of low water pressure.

- **Water shutoff valve not fully open?** Turn the water shutoff valve fully open.
- **Kink in the water source line?** A kink in the line can reduce water flow. Straighten the water source line.
- **Reverse osmosis water filtration system connected to your cold water supply?** This can decrease water pressure. See "Water Supply Requirements."
- **Questions remain regarding water pressure?** Call a licensed, qualified plumber.

---

### Off-taste, odor or gray color in the ice

---

- **New plumbing connections?** New plumbing connections can cause discolored or off-flavored ice.
- **Ice stored too long?** Discard ice. Wash ice bin. Allow 24 hours for ice maker to make new ice.
- **Odor transfer from food?** Use airtight, moisture proof packaging to store food.
- **Are there minerals (such as sulfur) in the water?** A water filter may need to be installed to remove the minerals.

---

# WHIRLPOOL CORPORATION MAJOR APPLIANCE WARRANTY

---

## LIMITED WARRANTY

For one year from the date of purchase, when this major appliance is operated and maintained according to instructions attached to or furnished with the product, Whirlpool Corporation or Whirlpool Canada LP (hereafter "Whirlpool") will pay for Factory Specified Parts and repair labor to correct defects in materials or workmanship that existed when this major appliance was purchased. Service must be provided by a Whirlpool designated service company. YOUR SOLE AND EXCLUSIVE REMEDY UNDER THIS LIMITED WARRANTY SHALL BE PRODUCT REPAIR AS PROVIDED HEREIN. This limited warranty is valid only in the United States or Canada and applies only when the major appliance is used in the country in which it was purchased. Proof of original purchase date is required to obtain service under this limited warranty.

---

## ITEMS EXCLUDED FROM WARRANTY

### This limited warranty does not cover:

1. Replacement parts or repair labor if this major appliance is used for other than normal, single-family household use or when it is used in a manner that is inconsistent to published user or operator instructions and/or installation instructions.
2. Service calls to correct the installation of your major appliance, to instruct you on how to use your major appliance, to replace or repair house fuses, or to correct house wiring or plumbing.
3. Service calls to repair or replace appliance light bulbs, air filters or water filters. Consumable parts are excluded from warranty coverage.
4. Damage resulting from accident, alteration, misuse, abuse, fire, flood, acts of God, improper installation, installation not in accordance with electrical or plumbing codes, or use of products not approved by Whirlpool.
5. Cosmetic damage, including scratches, dents, chips or other damage to the finish of your major appliance, unless such damage results from defects in materials or workmanship and is reported to Whirlpool within 30 days from the date of purchase.
6. Any food or medicine loss due to refrigerator or freezer product failures.
7. Pickup and delivery. This major appliance is intended to be repaired in your home.
8. Repairs to parts or systems resulting from unauthorized modifications made to the appliance.
9. Expenses for travel and transportation for product service if your major appliance is located in a remote area where service by an authorized Whirlpool servicer is not available.
10. The removal and reinstallation of your major appliance if it is installed in an inaccessible location or is not installed in accordance with Whirlpool's published installation instructions.
11. Replacement parts or repair labor on major appliances with original model/serial numbers that have been removed, altered or cannot be easily determined.
12. Discoloration, rust, or oxidation of stainless steel surfaces.

---

## DISCLAIMER OF IMPLIED WARRANTIES

IMPLIED WARRANTIES, INCLUDING ANY IMPLIED WARRANTY OF MERCHANTABILITY OR IMPLIED WARRANTY OF FITNESS FOR A PARTICULAR PURPOSE, ARE LIMITED TO ONE YEAR OR THE SHORTEST PERIOD ALLOWED BY LAW. Some states and provinces do not allow limitations on the duration of implied warranties of merchantability or fitness, so this limitation may not apply to you. This warranty gives you specific legal rights, and you also may have other rights that vary from state to state or province to province.

---

## LIMITATION OF REMEDIES; EXCLUSION OF INCIDENTAL AND CONSEQUENTIAL DAMAGES

YOUR SOLE AND EXCLUSIVE REMEDY UNDER THIS LIMITED WARRANTY SHALL BE PRODUCT REPAIR AS PROVIDED HEREIN. WHIRLPOOL SHALL NOT BE LIABLE FOR INCIDENTAL OR CONSEQUENTIAL DAMAGES. Some states and provinces do not allow the exclusion or limitation of incidental or consequential damages, so these limitations and exclusions may not apply to you. This warranty gives you specific legal rights, and you also may have other rights that vary from state to state or province to province.

---

If outside the 50 United States and Canada, contact your authorized Whirlpool dealer to determine if another warranty applies. 6/08

---

For additional product information, in the U.S.A., visit [www.whirlpool.com](http://www.whirlpool.com)  
In Canada, visit [www.whirlpool.ca](http://www.whirlpool.ca)

If you do not have access to the Internet and you need assistance using your product or you would like to schedule service, you may contact Whirlpool at the number below.

*Have your complete model number ready. You can find your model number and serial number on the label, located on the inside wall of the refrigerator compartment.*

For assistance or service in the U.S.A., call 1-800-253-1301. In Canada, call 1-800-807-6777.

If you need further assistance, you can write to Whirlpool with any questions or concerns at the address below:

In the U.S.A.:

Whirlpool Brand Home Appliances  
Customer eXperience Center  
553 Benson Road  
Benton Harbor, MI 49022-2692

In Canada:

Whirlpool Brand Home Appliances  
Customer eXperience Centre  
200 – 6750 Century Ave.  
Mississauga, Ontario L5N 0B7

Please include a daytime phone number in your correspondence.

Please keep these User Instructions and the model number information for future reference.



# INSTRUCCIONES PARA EL USUARIO DEL REFRIGERADOR

LE AGRADECEMOS la compra de este producto de alta calidad. Si usted experimenta un problema que no se haya cubierto en SOLUCIÓN DE PROBLEMAS, visite nuestro sitio de internet en [www.whirlpool.com](http://www.whirlpool.com) para obtener información adicional. Si considera que aún necesita ayuda, llámenos al 1-800-253-1301. En Canadá, visite nuestro sitio de internet en [www.whirlpool.ca](http://www.whirlpool.ca) o llámenos al 1-800-807-6777.

Necesitará tener a mano su número de modelo y de serie ubicados en la pared interior del compartimiento del refrigerador.

## SEGURIDAD DEL REFRIGERADOR

### Su seguridad y la seguridad de los demás es muy importante.

Hemos incluido muchos mensajes importantes de seguridad en este manual y en su electrodoméstico. Lea y obedezca siempre todos los mensajes de seguridad.



Este es el símbolo de advertencia de seguridad.

Este símbolo le llama la atención sobre peligros potenciales que pueden ocasionar la muerte o una lesión a usted y a los demás.

Todos los mensajes de seguridad irán a continuación del símbolo de advertencia de seguridad y de la palabra "PELIGRO" o "ADVERTENCIA". Estas palabras significan:

 **PELIGRO**

Si no sigue las instrucciones de inmediato, usted puede morir o sufrir una lesión grave.

 **ADVERTENCIA**

Si no sigue las instrucciones, usted puede morir o sufrir una lesión grave.

Todos los mensajes de seguridad le dirán el peligro potencial, le dirán cómo reducir las posibilidades de sufrir una lesión y lo que puede suceder si no se siguen las instrucciones.

### INSTRUCCIONES IMPORTANTES DE SEGURIDAD

**ADVERTENCIA:** Para reducir el riesgo de incendio, choque eléctrico, o lesiones personales al usar su refrigerador siga estas precauciones básicas, incluidas las siguientes:

- Conecte a un contacto de pared de conexión a tierra de 3 terminales.
- No quite la terminal de conexión a tierra.
- No use un adaptador.
- No use un cable eléctrico de extensión.
- Desconecte el suministro de energía antes de darle servicio.
- Vuelva a colocar todos los componentes y paneles antes de hacerlo funcionar.
- Remueva las puertas de su refrigerador viejo.
- Use un limpiador no inflamable.
- Mantenga los materiales y vapores inflamables, tales como gasolina, alejados del refrigerador.
- Use dos o más personas para mover e instalar el refrigerador.
- Desconecte el suministro de energía antes de instalar la fábrica de hielo (en aquellos modelos que incluyen el juego de instalación de la fábrica de hielo).

**CONSERVAR ESTAS INSTRUCCIONES**

## Cómo deshacerse adecuadamente de su refrigerador viejo

### ⚠️ ADVERTENCIA

#### Peligro de Asfixia

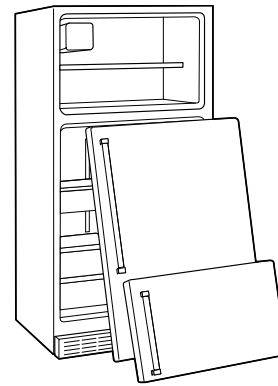
Remueva las puertas de su refrigerador viejo.

No seguir esta instrucción puede ocasionar la muerte o daño al cerebro.

**IMPORTANTE:** El atrapamiento y asfixia de niños no es un problema del pasado. Los refrigeradores tirados y abandonados son un peligro, aún si van a quedar ahí “por unos pocos días”. Si Ud. está por deshacerse de su refrigerador viejo, por favor siga las instrucciones que se dan a continuación para prevenir accidentes.

### Antes de tirar su refrigerador viejo o congelador:

- Saque las puertas.
- Deje los estantes en su lugar así los niños no pueden meterse adentro con facilidad.



## INSTRUCCIONES DE INSTALACIÓN

### Desempaque el refrigerador

### ⚠️ ADVERTENCIA

#### Peligro de Peso Excesivo

Use dos o más personas para mover e instalar el refrigerador.

No seguir esta instrucción puede ocasionar una lesión en la espalda u otro tipo de lesiones.

### Cómo mover su refrigerador:

Su refrigerador es pesado. Cuando mueva el refrigerador para limpiarlo o para darle servicio, cerciórese de cubrir el piso con cartón o madera para evitar daños en el mismo. Al mover el refrigerador, siempre tire directamente hacia afuera. No menee el refrigerador de lado a lado ni lo haga “caminar” cuando lo trate de mover ya que podría dañar el piso.

### Quite los materiales de empaque

- Quite los restos de cinta y goma de las superficies de su refrigerador antes de encenderlo. Frote un poco de detergente líquido para vajillas sobre el adhesivo con los dedos. Limpie con agua tibia y seque.
- No use instrumentos filosos, alcohol para fricciones, líquidos inflamables o limpiadores abrasivos para eliminar restos de cinta o goma. Estos productos pueden dañar la superficie de su refrigerador. Para más información, vea “Seguridad del refrigerador”.
- En algunos modelos, los estantes, recipientes, rieles para los estantes de las puertas y otras partes pueden estar en el Paquete de piezas interior (Interior FeaturePak). Siga las instrucciones contenidas en el paquete para lograr un ensamblaje adecuado.
- Hay cuatro pernos que ajustan el refrigerador a la caja de embalaje. Estos pernos no se utilizan para nivelar el refrigerador. Para nivelar el refrigerador, consulte “Ajuste las puertas”.
- Deshágase de todos los materiales de embalaje o recíclelos.

### Cómo limpiar su refrigerador antes de usarlo

Una vez que usted haya quitado todos los materiales de empaque, limpie el interior de su refrigerador antes de usarlo. Vea las instrucciones de limpieza en “Cuidado de su refrigerador”.

### Información importante para saber acerca de los estantes y tapas de vidrio:

No limpie los estantes y tapas de vidrio con agua caliente mientras están fríos. Los estantes y tapas pueden romperse si se exponen a cambios bruscos de temperatura o impacto, como sería un golpe brusco. El vidrio templado se ha diseñado para hacerse añicos. Esto es normal. Los estantes y tapas de vidrio son muy pesados. Use ambas manos al sacarlos para evitar que se caigan.

**IMPORTANTE:** No quite el inserto de espuma blanca de retorno de aire que está ubicado detrás del panel de control, en el techo del refrigerador (en algunos modelos). Esta pieza es parte del refrigerador y no es parte del material de empaque. Si se quita dicha pieza, el hielo del congelador puede bajar y formar carámbanos.

## Requisitos de ubicación

### ⚠ ADVERTENCIA



#### Peligro de Explosión

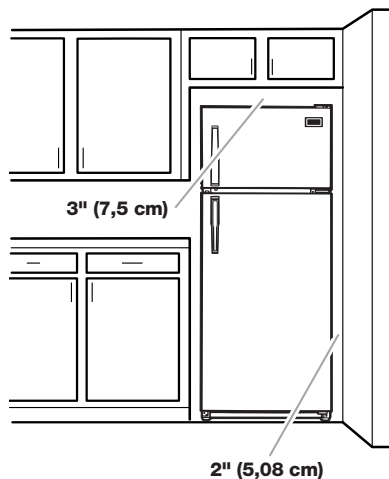
Mantenga los materiales y vapores inflamables, tales como gasolina, alejados del refrigerador.

No seguir esta instrucción puede ocasionar la muerte, explosión, o incendio.

Para asegurar la ventilación adecuada de su refrigerador, deje un espacio de ½" (12,70 mm) a cada lado. Deje un espacio de 3" (7,5 cm) entre los armarios de arriba y la parte superior del refrigerador. Deje por lo menos 1" (25,40 mm) entre la parte trasera de la carcasa y la pared. Si su refrigerador tiene una fábrica de hielo, asegúrese de que haya espacio adicional atrás para la conexión de las tuberías de agua.

- Si va a instalar su refrigerador al costado de una pared fija, deje como mínimo 2" (5,08 cm) en el lado de la bisagra (según el modelo) para permitir que la puerta se abra bien.
- Nivele el refrigerador. Vea "Ajuste las puertas".

**NOTA:** No se recomienda instalar el refrigerador cerca de un horno, radiador u otra fuente de calor. No lo instale en un lugar donde la temperatura baje a menos de 55°F (13°C).



## Requisitos eléctricos

### ⚠ ADVERTENCIA



#### Peligro de Choque Eléctrico

Conecte a un contacto de pared de conexión a tierra de 3 terminales.

No quite la terminal de conexión a tierra.

No use un adaptador.

No use un cable eléctrico de extensión.

No seguir estas instrucciones puede ocasionar la muerte, incendio o choque eléctrico.

Antes de mover el refrigerador a su posición definitiva, es importante asegurarse que Ud. tiene la conexión eléctrica adecuada.

#### Método de conexión a tierra recomendado

Se requiere una fuente de energía eléctrica de 115 Voltios, 60 Hz., CA solamente y con fusibles de 15 ó 20 amperios, conectada a tierra. Se recomienda que se use un circuito separado sólo para su refrigerador. Use un tomacorriente que no se puede apagar con un interruptor. No use un cable eléctrico de extensión.

**NOTA:** Antes de realizar cualquier tipo de instalación, limpie o de quite un foco de luz, apague el enfriamiento y/o desconecte el refrigerador de la fuente de energía.

**Estilo 1** – Modelos con control de cuadrante. Gire el control hacia OFF (Apagado) y luego desconecte el refrigerador de la fuente de energía.

**Estilo 2** – Modelos con control electrónico. Desconecte el refrigerador de la fuente de suministro eléctrico.

Cuando haya terminado, reconecte el refrigerador a la fuente de energía eléctrica y vuelva a poner el control en la posición deseada. Vea "Uso del (de los) control(es)".

## Requisitos del suministro de agua

Lea todas las instrucciones antes de comenzar.

#### IMPORTANTE:

- Si enciende el refrigerador antes de conectar la tubería de agua, APAGUE la fábrica de hielo.
- Todas las instalaciones deben hacerse de acuerdo a los requerimientos del código de plomería local.
- Use tubería de cobre y revise si hay fugas. Instale la tubería de cobre sólo en áreas donde la temperatura vaya a permanecer por encima del punto de congelación.

**HERRAMIENTAS NECESARIAS:** Destornillador de hoja plana, llaves de boca de ¼" y ½" ó 2 llaves ajustables, llave de tuercas y broca de ¼", y un taladro inalámbrico. Reúna las herramientas y piezas necesarias antes de comenzar la instalación. Lea y siga las instrucciones provistas con cualquiera de las herramientas enlistadas.

**NOTA:** El distribuidor de su refrigerador tiene un juego disponible de válvula de cierre tipo montura de ¼" (6,35 mm), una unión y tubería de cobre. Antes de comprar, asegúrese de que la válvula del tipo montura cumple con los códigos de plomería locales. No use una válvula perforadora o una válvula de montura de ¾" (4,76 mm), que reduce el flujo de agua y se obstruye con más facilidad.

## Presión del agua

Se necesita un suministro de agua fría con presión de agua entre 30 y 120 lbs/pulg<sup>2</sup> (207 y 827 kPa) para hacer funcionar la fábrica de hielo. Si tiene preguntas acerca de la presión del agua, llame a un plomero competente autorizado.

### Suministro de agua de ósmosis inversa

Si se conecta un sistema de filtración de agua de ósmosis inversa al suministro de agua fría, la presión de agua al sistema de ósmosis inversa necesitará ser de un mínimo de 40 a 60 lbs/pulg<sup>2</sup> (276 a 414 kPa).

Si la fábrica de hielo continúa sin funcionar adecuadamente:

- Fíjese si el filtro de sedimentos en el sistema de ósmosis inversa está bloqueado. Reemplácelo si fuera necesario.
- Deje que se vuelva a llenar el tanque de almacenaje del sistema de ósmosis inversa después del uso intenso.

Si tiene preguntas acerca de la presión del agua, llame a un plomero competente autorizado.

## Conexión del suministro de agua

(en algunos modelos)

Lea todas las instrucciones antes de comenzar.

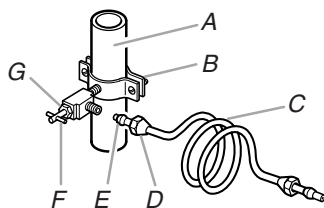
**IMPORTANTE:** Si enciende el refrigerador antes de conectar la tubería del agua, APAGUE la fábrica de hielo.

### Conexión a la tubería de agua

1. Desenchufe el refrigerador o desconecte el suministro de energía.
2. CIERRE el suministro principal del agua. ABRA el grifo de agua más cercano al tiempo suficiente para que la tubería de agua se despeje.
3. Ubique una tubería vertical de agua fría de 1/2" a 1 1/4" (1,27 cm a 3,18 cm) cercana al refrigerador.

#### IMPORTANTE:

- Asegúrese de que sea una tubería de agua fría.
  - Una tubería horizontal funcionará, pero taladre por el lado de arriba de la tubería, no por debajo. Esto ayudará a mantener el agua alejada del orificio taladrado. Esto también evita que se junte sedimento normal en la válvula.
4. Para determinar la longitud de la tubería de cobre que va a necesitar, mida desde la conexión en la parte inferior trasera izquierda del refrigerador hasta la tubería de agua. Agregue 7 pies (2,1 m) para la limpieza. Use tubería de cobre de 1/4" (6,35 mm) de diámetro externo. Asegúrese que ambos extremos de la tubería de cobre estén cortados rectos.
  5. Usando un taladro inalámbrico, perforo un orificio de 1/4" en la tubería de agua fría que usted ha elegido.



- A. Tubería de agua fría  
B. Abrazadera para tubería  
C. Tubería de cobre  
D. Tuerca de compresión  
E. Manga de compresión  
F. Válvula de cierre  
G. Tuerca de presión

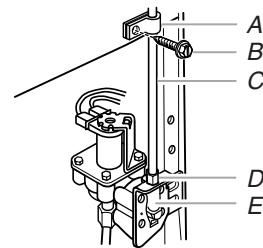
6. Ajuste la válvula de cierre a la tubería de agua fría con la abrazadera para tubería. Asegúrese que el extremo de salida esté firmemente insertado en el orificio taladrado de 1/4" en la tubería de agua y que la arandela esté por debajo de la abrazadera para tubería. Ajuste la tuerca de presión. Apriete los tornillos de la abrazadera para tubería lentamente y en forma pareja de manera que la arandela provea un cierre hermético. No apriete demasiado.
7. Deslice la manga de compresión y la tuerca de compresión sobre la tubería de cobre como se muestra. Inserte el extremo de la tubería en el extremo de salida en forma pareja hasta donde sea posible. Atornille la tuerca de compresión sobre el extremo de salida con una llave ajustable. No apriete demasiado.
8. Coloque el extremo libre de la tubería dentro de un recipiente o fregadero, y ABRA la llave de agua principal. Enjuague la tubería hasta que el agua salga limpia. CIERRE la válvula de cierre del agua en la tubería de agua. Enrolle la tubería de cobre en espiral.

### Conexión al refrigerador

**NOTA:** En modelos que vienen con juegos, monte la válvula del agua al refrigerador de acuerdo a las instrucciones del juego.

#### Estilo 1

1. Desenchufe el refrigerador o desconecte el suministro de energía.
2. Fije el tubo de cobre a la entrada de la válvula usando una tuerca de compresión y manga de compresión como se muestra. Ajuste la tuerca de compresión. No apriete demasiado.
3. Use la abrazadera para tubería en la parte trasera del refrigerador para afianzar la tubería al refrigerador según se muestra. Esto ayudará a evitar daños a la tubería cuando el refrigerador se empuje nuevamente contra la pared.
4. ABRA la válvula de cierre.
5. Revise si hay fugas. Ajuste las conexiones (incluso las de la válvula) o tuercas que tienen fugas.



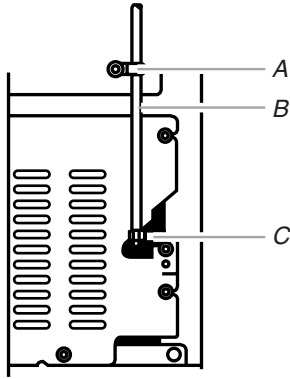
- A. Abrazadera para tubería  
B. Tornillo de la abrazadera para tubería  
C. Tubería de cobre  
D. Tuerca de compresión  
E. Entrada de la válvula

6. La fábrica de hielo está equipada con un filtro de agua incorporado. Si las condiciones del agua local requieren un segundo filtro de agua, se debe instalar en la línea de agua de 1/4" (6,35 mm) en cualquiera de las conexiones de la tubería. Consiga un filtro de agua del distribuidor de electrodomésticos más cercano a su domicilio.

#### Estilo 2

1. Desenchufe el refrigerador o desconecte el suministro de energía.
2. Desconecte la abrazadera para tubería que está en la parte posterior del producto e inserte la tubería de cobre a través de la abrazadera como se ilustra.
3. Sujete la tubería de cobre a la entrada de la válvula usando una tuerca de compresión y una manga de compresión según se ilustra.

- Ajuste la tuerca de compresión. No la ajuste demasiado. Vuelva a unir la abrazadera para tubería y el tubo a la parte posterior de la carcasa.



A. Abrazadera para tubería C. Tuerca de compresión  
B. Tubería de cobre

- ABRA la válvula de cierre. Revise si hay pérdidas. Ajuste todas las conexiones (incluso las conexiones de la válvula) o las tuercas que tengan fugas.
- La fábrica de hielo está equipada con un filtro de agua incorporado. Si las condiciones del agua local requieren un segundo filtro de agua, se debe instalar en la línea de agua de 1/4" (6,35 mm) en cualquiera de las conexiones de la tubería. Consiga un filtro de agua del distribuidor de electrodomésticos más cercano a su domicilio.

#### Cómo terminar la instalación

## ⚠ ADVERTENCIA



### Peligro de Choque Eléctrico

Conecte a un contacto de pared de conexión a tierra de 3 terminales.

No quite la terminal de conexión a tierra.

No use un adaptador.

No use un cable eléctrico de extensión.

No seguir estas instrucciones puede ocasionar la muerte, incendio o choque eléctrico.

- Conecte a un contacto de pared de conexión a tierra de 3 terminales.

**NOTA:** Deje transcurrir 24 horas para la producción de la primera tanda de hielo. Deshágase de los tres primeros lotes de hielo producido. Deje pasar 3 días para que se llene completamente el recipiente para hielo.

## Puertas del refrigerador

Tal vez sea necesario quitar las puertas para permitir que el refrigerador pase por la entrada de su hogar. Vea las instrucciones a continuación para quitar y volver a colocar las puertas.

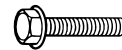
### IMPORTANTE:

- Las puertas no son reversibles.
- Quite toda la puerta, no sólo las manijas. Es más difícil volver a colocar correctamente las manijas.

- Su refrigerador tiene controles tipo cuadrante (**Estilo 1**) o controles electrónicos (**Estilo 2**). Siga las instrucciones e ilustraciones que sean específicas para su modelo.
- Antes de comenzar, gire el control del refrigerador hacia la posición de OFF (Apagado). Desenchufe el refrigerador o desconecte el suministro de energía.
- Quite todos los alimentos y los recipientes ajustables o de uso múltiple de las puertas.
- Todas las ilustraciones a las que se hace referencia en las siguientes instrucciones se incluyen más adelante en esta sección.

**HERRAMIENTAS NECESARIAS:** Llave de cubo de cabeza hexagonal de 5/16", destornillador Phillips N° 2, destornillador de hoja plana, llave de boca de 5/16", cuchillo plano para masilla de 2".

### Cómo quitar las puertas y las bisagras



Tornillo para bisagra de cabeza hexagonal de 5/16"

- Desenchufe el refrigerador o desconecte el suministro de energía.
- Cierre la puerta del refrigerador y mantenga las dos puertas cerradas hasta que esté listo para separarlas de la carcasa.  
**NOTA:** Mientras quita las bisagras siempre disponga de un soporte adicional para las puertas. No se confíe en que los imanes de las puertas van a sostener las puertas mientras trabaja.
- Quite la tapa de la bisagra superior, como se muestra en la ilustración Bisagra superior.  
**Estilo 1** - Modelos con control tipo cuadrante - Quite las piezas de la bisagra superior como se muestra en la ilustración Bisagra superior.  
**Estilo 2** - Modelos con control electrónico - Desconecte el enchufe de cableado, que está ubicado sobre la bisagra, introduciendo un destornillador de hoja plana o la uña entre las dos secciones. Vea la ilustración Conexiones. Quite los componentes de la bisagra superior como se muestra en la ilustración Bisagra superior.
- Levante y quite la puerta del congelador de la carcasa.
- Quite los componentes de la bisagra central como se muestra en la ilustración de la Bisagra central. Levante y quite la puerta del refrigerador de la carcasa.
- Quite los componentes de la bisagra inferior como se muestra en la ilustración Bisagra inferior.

### Cómo volver a poner las puertas y las bisagras en su lugar

**NOTA:** Si el sentido de apertura de la puerta se cambia, la ilustración de la puerta pudiera quedar invertida.

- Vuelva a poner los componentes de la bisagra inferior en su sitio como se indica. Apriete los tornillos. Vuelva a poner en su lugar la puerta del refrigerador.  
**NOTA:** Mientras quita las bisagras siempre disponga de un soporte adicional para las puertas. No se confíe en que los imanes de las puertas van a sostener las puertas mientras trabaja.
- Arme los componentes de la bisagra central como se indica y atornille todos los tornillos. Vea la ilustración de la bisagra central. Vuelva a poner en su lugar la puerta del congelador.
- Ensamble las piezas de la bisagra superior como se indica. Vuelva a colocar el espaciador y la bisagra. No atornille completamente los tornillos.
- Alinee las puertas de tal manera que la parte inferior de la puerta del congelador esté alineada uniformemente con la parte superior de la puerta del refrigerador. Apriete todos los tornillos. Vea la ilustración Bisagra superior

## ⚠ ADVERTENCIA



### Peligro de Choque Eléctrico

Conecte a un contacto de pared de conexión a tierra de 3 terminales.

No quite la terminal de conexión a tierra.

No use un adaptador.

No use un cable eléctrico de extensión.

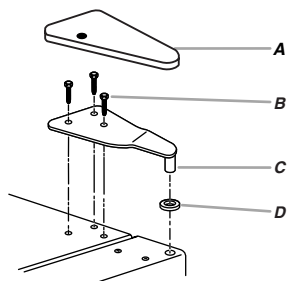
No seguir estas instrucciones puede ocasionar la muerte, incendio o choque eléctrico.

1. Conecte a un enchufe de pared con conexión a tierra de 3 terminales.
2. Vuelva a ajustar los controles. Vea "Uso del(de los) control(es)".
3. Regrese todas las partes desmontables a las puertas y la comida al refrigerador.

### Estilo 1 - Control tipo cuadrante

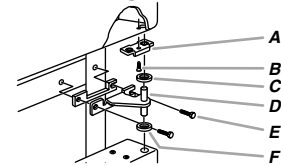
## Cómo quitar y volver a poner la puerta en su lugar

### Bisagra superior



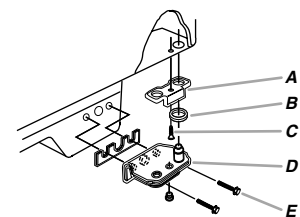
- A. Cubierta de la bisagra superior
- B. Tornillos de cabeza hexagonal para bisagra de 5/16"
- C. Bisagra superior
- D. Espaciador

### Bisagra central



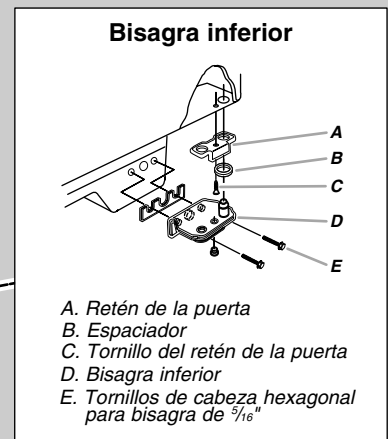
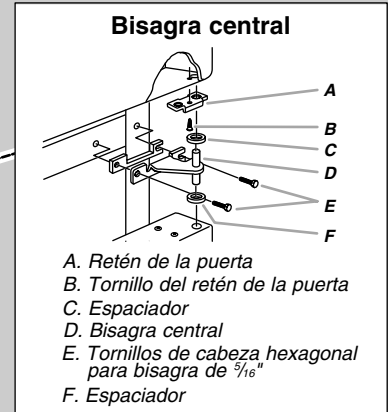
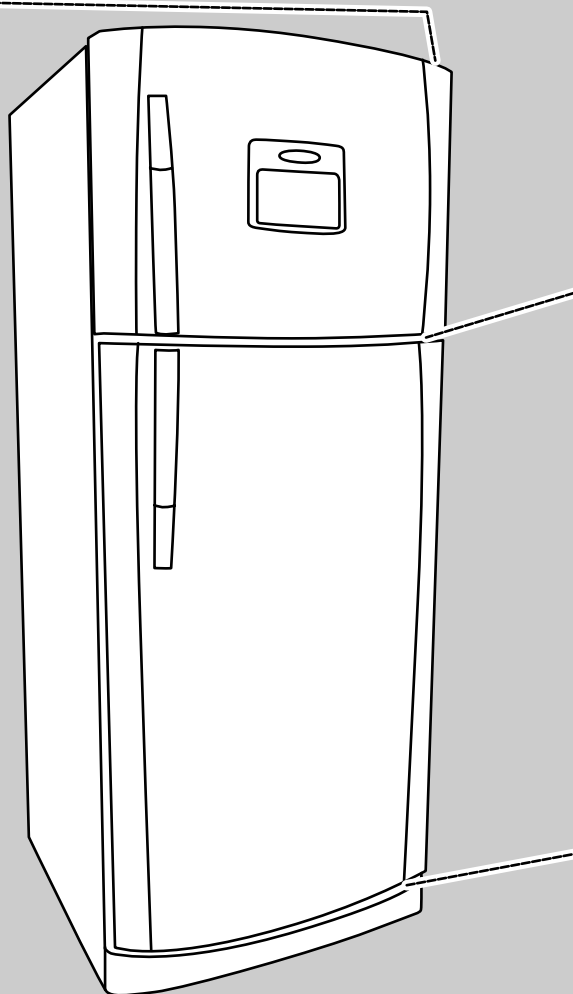
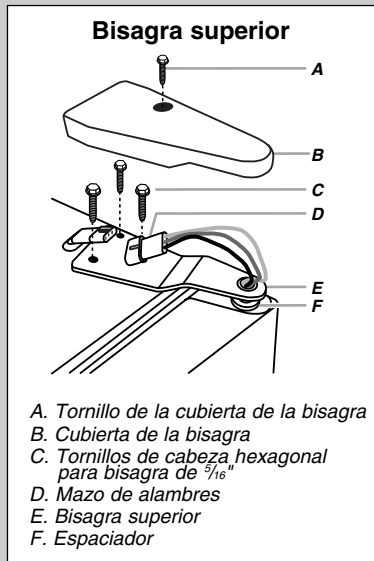
- A. Retén de la puerta
- B. Tornillo del retén de la puerta
- C. Espaciador
- D. Bisagra central
- E. Tornillos de cabeza hexagonal para bisagra de 5/16"
- F. Espaciador

### Bisagra inferior



- A. Retén de la puerta
- B. Espaciador
- C. Tornillo del retén de la puerta
- D. Bisagra inferior
- E. Tornillos de cabeza hexagonal para bisagra de 5/16"

## Cómo quitar y volver a poner la puerta en su lugar



## Ajuste las puertas

### Estilo 1

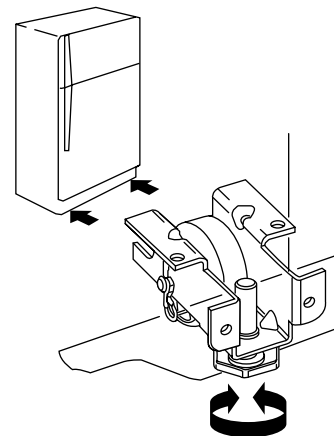
Su refrigerador tiene dos rodillos frontales regulables - uno a la derecha y otro a la izquierda. Si su refrigerador parece inestable o usted desea que las puertas se cierren con mayor facilidad, ajuste la inclinación del refrigerador empleando las instrucciones siguientes.

Dependiendo de su modelo, puede ser que su refrigerador tenga patas niveladoras (**Estilo 1**) o tornillos niveladores (**Estilo 2**). Estas patas o tornillos son parte de las piezas de montaje del rodillo frontal, que se encuentran en la base del refrigerador a cada lado.

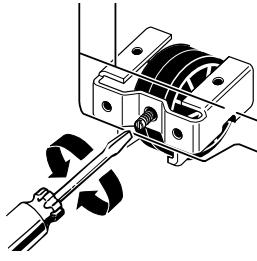
1. Gire las patas o tornillos niveladores hacia la derecha para levantar ese lado del refrigerador o hacia la izquierda para bajar ese lado. Puede precisar darle varias vueltas para ajustar la inclinación del refrigerador.

**NOTA:** Haga que alguien empuje la parte superior del refrigerador, lo cual quita algo de peso de los tornillos niveladores y los rodillos. Esto facilita el ajuste de los tornillos.

2. Abra ambas puertas nuevamente y verifique que se cierran con la facilidad que usted desea. De lo contrario, incline el refrigerador ligeramente más hacia la parte posterior, girando ambos tornillos niveladores hacia la derecha. Puede tomar varias vueltas más, y usted deberá girar ambos tornillos niveladores la misma cantidad de veces.



## Estilo 2



- Usando un nivel, verifique que el refrigerador aún esté nivelado de lado a lado. Regule si fuera necesario.

## USO DE SU REFRIGERADOR

### Uso de los controles

Su refrigerador puede tener controles con cuadrante o electrónicos. Siga las instrucciones que sean específicas para su modelo.

#### IMPORTANTE:

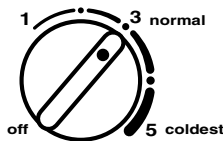
- Espere 24 horas para que el refrigerador se enfríe completamente antes de agregar alimentos. Si agrega alimentos antes de que el refrigerador se haya enfriado por completo, sus alimentos podrían echarse a perder.  
**NOTA:** Poner los Controles del refrigerador y del congelador en un ajuste más frío que el recomendado no enfriará más rápido los compartimientos.
- Los ajustes recomendados deben ser los correctos para un uso doméstico normal del refrigerador. Los controles están ajustados correctamente cuando la leche o los jugos están tan fríos como Ud. desea y cuando el helado tiene consistencia firme.
- Si la temperatura está demasiado caliente o demasiado fría en el refrigerador o en el congelador, antes de regular los controles, asegúrese primero de que los conductos de ventilación no estén obstruidos.

### Control con cuadrante

(en algunos modelos)

Para su conveniencia, los controles vienen prefijados de fábrica. Al instalar su refrigerador por primera vez, cerciórese de que los controles aún estén prefijados en los ajustes recomendados, como se ilustra.

#### Ajuste recomendado "3"



#### Para APAGARLO:

Gire el control del refrigerador hacia la palabra OFF (Apagado). Su refrigerador no enfriará mientras el control del refrigerador esté en OFF (Apagado).

#### Cómo ajustar el control de cuadrante

Si necesita regular las temperaturas, utilice como guía los ajustes que se enumeran en la tabla siguiente. Para modelos con dos controles, comience regulando en primer lugar la temperatura del refrigerador. Espere por lo menos 24 horas entre un ajuste y otro, y después vuelva a verificar las temperaturas.

#### CONDICIÓN/MOTIVO: AJUSTE:

REFRIGERADOR demasiado caliente	Control de TEMPERATURE (Temperatura) un ajuste más alto
CONGELADOR demasiado caliente / muy poco hielo	Control de TEMPERATURE (Temperatura) un ajuste más alto
REFRIGERADOR demasiado frío	Control de TEMPERATURE (Temperatura) un ajuste más bajo
CONGELADOR demasiado frío	Control de TEMPERATURE (Temperatura) un ajuste más bajo

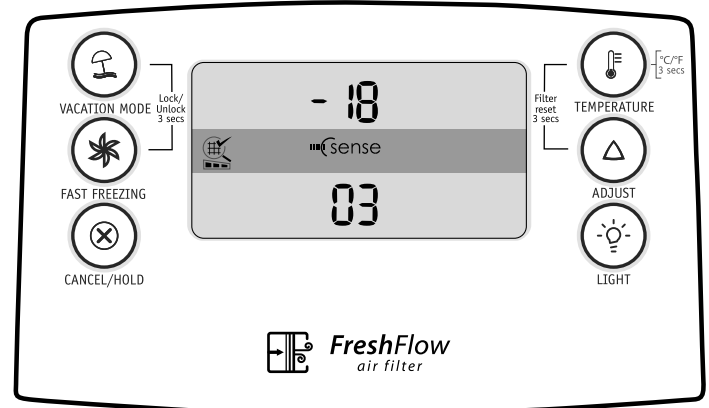
### Panel de control electrónico

(en algunos modelos)

Su refrigerador tiene un panel de control electrónico fácil de usar ubicado en el frente de la puerta del compartimiento del congelador.

- Para ahorrar energía, la pantalla se pondrá tenue y permanecerá sin encenderse hasta que usted presione un botón. Una vez que toque cualquier botón, la pantalla se encenderá para permitirle seleccionar la característica del control deseada.
- El panel del control electrónico muestra la temperatura interna de cada compartimiento.
- Para su comodidad, los controles de su refrigerador han sido programados de fábrica. Al instalar su refrigerador por primera vez, cerciórese de que los controles aún estén prefijados en los ajustes recomendados, como se ilustra.
- Por defecto, las temperaturas aparecen en grados centígrados. Para cambiar a grados Fahrenheit, presione y sostenga el botón de Temperature (Temperatura) durante 3 segundos.

#### Ajustes recomendados



#### Para APAGARLO:

Desenchufe el refrigerador.

#### Cómo ajustar los controles de temperatura

- Cuando usted ajuste la temperatura de un compartimiento, el control reaccionará automáticamente para balancear la temperatura del otro compartimiento, para lograr un balance entre la energía y el desempeño.
- No ajuste la temperatura del refrigerador ni del congelador en más de un ajuste por vez, excepto cuando encienda el refrigerador por primera vez. Espere 24 horas entre los ajustes para que se establezca la temperatura.

### Para regular temperaturas de punto de ajuste:

1. Oprima el botón de Temperature (Temperatura). Comenzarán a destellar ambas secciones de la pantalla. Si no lo hacen, presione nuevamente el botón de Temperature (Temperatura).
2. Presione el botón de Adjust (Ajuste) hasta que aparezca la temperatura deseada.
3. Presione nuevamente el botón de Temperature (Temperatura) para fijar la temperatura o espere 15 segundos y se guardarán los ajustes nuevos. La pantalla dejará de destellar.



TEMPERATURE

CONDICIÓN/MOTIVO:	AJUSTE:
REFRIGERADOR demasiado caliente	Control de TEMPERATURE (Temperatura) un ajuste más alto
CONGELADOR demasiado caliente / muy poco hielo	Control de TEMPERATURE (Temperatura) un ajuste más alto
REFRIGERADOR demasiado frío	Control de TEMPERATURE (Temperatura) un ajuste más bajo
CONGELADOR demasiado frío	Control de TEMPERATURE (Temperatura) un ajuste más bajo

### Funciones adicionales del Panel de control electrónico

#### Modo de vacaciones

La característica del modo de vacaciones le permite hacer funcionar el refrigerador con el máximo ahorro de energía, mientras usted no se encuentra en su hogar.

El modo de vacaciones no afecta los ajustes previos de temperatura, sino que simplemente los modifica mientras esté encendida la característica.

**NOTA:** No podrá encenderse ninguna otra característica cuando esté activado el modo de vacaciones.

- Presione el botón táctil de Fast Freezing (Congelamiento rápido) para fijar el congelador en el ajuste de temperatura más bajo. La pantalla mostrará flechas hacia abajo, para indicar que el congelador está enfriándose rápidamente.
- Presione el botón de Cancel/Hold (Anular/Sostener) para volver a los ajustes normales de funcionamiento. El modo de Vacation (Vacaciones) se apagará automáticamente cuando detecte que las puertas se han abierto y cerrado siete veces.



VACATION MODE

#### Congelado rápido

La característica de congelado rápido ayuda en los períodos de uso abundante de hielo aumentando la producción del mismo.

- Presione el botón táctil de Fast Freezing (Congelamiento rápido) para fijar el congelador en el ajuste de temperatura más bajo. La pantalla mostrará flechas hacia abajo, para indicar que el congelador está enfriándose rápidamente.
- Presione el botón de Cancel/Hold (Anular/Sostener) para volver al punto fijo normal del congelador.



FAST FREEZING

#### Modo de sostener

El modo de sostener le permite tener la puerta del refrigerador abierta durante 15 minutos, después de haber comprado alimentos, sin afectar el funcionamiento del refrigerador ni causar pérdida de desempleo por tener la puerta abierta.

El modo de sostener no afecta los ajustes de temperatura del refrigerador.

- Presione el botón de Cancel/Hold (Anular/Sostener). Comenzará a destellar la información de la pantalla.
- Presione nuevamente el botón de Cancel/Hold (Anular/Sostener) para volver a los ajustes de temperatura fijados previamente, lo antes posible.



CANCEL/HOLD

#### Bloqueo/Desbloqueo

La característica de bloqueo le permite bloquear los botones del control para evitar cambios accidentales en los ajustes por parte de niños o de mascotas.

- Presione y sostenga los controles de Vacation Mode (Modo de vacaciones) y Fast Freezing (Congelado rápido) simultáneamente durante 3 segundos. Aparecerán en la pantalla un signo de advertencia y el ícono de la llave.
 

**NOTA:** Si usted intenta presionar un control cuando el refrigerador esté en el modo de Lock (Bloqueo), el control hará un pitido y destellarán los íconos.
- Presione y sostenga los controles de Vacation Mode (Modo de vacaciones) y Fast Freezing (Congelado rápido) simultáneamente durante 3 segundos o hasta que el control haga un pitido y el signo de advertencia y el ícono de la llave desaparezcan de la pantalla.



VACATION MODE



FAST FREEZING

#### Alarma de puerta entreabierta

La alarma de puerta entreabierta suena cuando el refrigerador o el congelador permanece abierto durante más de 2 minutos y la temperatura del compartimiento llega a 4°F ó 6°F respectivamente. Aparecerá en la pantalla un ícono de puerta abierta.

Para apagar la alarma, cierre la puerta o presione el botón de Cancel/Hold (Anular/Sostener).

#### Reposición del filtro de aire

Vuelva a iniciar la característica de control de estado del filtro de aire cada vez que reemplace el filtro de aire. Vea "Cómo cambiar el filtro de aire".

- Presione y sostenga los controles de Temperature (Temperatura) y Adjust (Ajustar) simultáneamente durante 3 segundos.



TEMPERATURE



ADJUST

- Cuando se vuelva a ajustar el indicador de estado, aparecerá la barra completa debajo del ícono del filtro en la pantalla, como se muestra.



## Fábrica de hielo (en algunos modelos - accesorio)

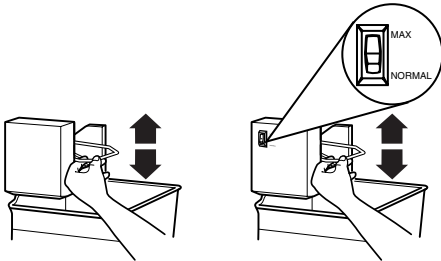
### Para encender y apagar la fábrica de hielo

**NOTA:** No fuerce el brazo de control de alambre hacia arriba o hacia abajo.

- Para encender la fábrica de hielo, sencillamente baje el brazo de control de alambre.

**NOTA:** Su fábrica de hielo tiene un apagado automático. A medida que se produce el hielo, los cubitos de hielo llenarán el depósito para hielo y éstos levantarán el brazo de control de alambre a la posición de OFF (Apagado - brazo elevado).

- Para apagar la fábrica de hielo manualmente, levante el brazo de control de alambre a la posición de OFF (Apagado - brazo elevado) y escuche el chasquido para cerciorarse de que la fábrica de hielo no va a continuar funcionando.



### Ritmo de producción del hielo

- Producción NORMAL de hielo: La fábrica de hielo deberá producir aproximadamente entre 8 y 12 lotes de hielo durante un período de 24 horas. Si no se produce el hielo con suficiente rapidez, gire el control del congelador hacia un número más alto (más frío) en pasos de números intermedios. (Por ejemplo, si el control está en 3, póngalo entre 3 y 4). Espere 24 horas y, si es necesario, gradualmente gire el control del congelador al ajuste más alto, esperando 24 horas entre cada incremento.
- Producción MÁXIMA de hielo (en algunos modelos): La fábrica de hielo deberá producir aproximadamente entre 16 y 20 lotes de hielo durante un período de 24 horas. Si su refrigerador tiene la característica de producción máxima de hielo, empuje el interruptor a MAX.

### Recuerde

- Deje transcurrir 24 horas para la producción del primer lote de hielo. Deshágase de los tres primeros lotes de hielo producidos.
- La calidad del hielo dependerá de la calidad del agua que suministre a su fábrica de hielo. Evite la conexión de su fábrica de hielo a un suministro de agua blanda. Los químicos para ablandar el agua (como la sal) pueden dañar ciertos componentes de la fábrica de hielo y producir un hielo de muy baja calidad. Si no se puede evitar el uso de un suministro de agua blanda, asegúrese de que el ablandador de agua esté funcionando correctamente y que goce de un buen mantenimiento.
- No guarde nada encima de la fábrica de hielo o en el depósito de hielo.

# CUIDADO DE SU REFRIGERADOR

## Limpieza

### ⚠ ADVERTENCIA



#### Peligro de Explosión

Use un limpiador no inflamable.

No seguir esta instrucción puede ocasionar la muerte, explosión o incendio.

Tanto la sección del refrigerador como la del congelador se descongelan automáticamente. No obstante, limpie ambas secciones más o menos una vez al mes para evitar la acumulación de olores. Limpie los derrames de inmediato.

#### IMPORTANTE:

- Debido a que el aire circula entre ambas secciones, los olores que se formen en una sección pasarán a la otra. Para eliminar los olores, limpie completamente ambas secciones. Para evitar la transferencia de olores y la deshidratación de los alimentos, envuelva o tape bien los alimentos.
- Para los modelos de acero inoxidable, el acero inoxidable es resistente a la corrosión y no a prueba de corrosión. Para ayudar a evitar la corrosión del acero inoxidable, mantenga las superficies limpias, siguiendo las instrucciones de limpieza a continuación.

#### Para limpiar su refrigerador:

**NOTA:** No use productos de limpieza abrasivos o ásperos, como aerosoles para ventanas, productos de limpieza para fregar, líquidos inflamables, ácido muriático, ceras para limpieza, detergentes concentrados, blanqueadores o productos de limpieza que contengan productos de petróleo en las partes exteriores (puertas y carcasa), partes de plástico, en el interior ni en los revestimientos o juntas de la puerta. No use toallas de papel, estropajos para fregar u otros utensilios de limpieza ásperos.

1. Desenchufe el refrigerador o desconecte el suministro de energía.
2. Lave a mano, enjuague y seque todas las partes desmontables y las superficies interiores meticulosamente. Use una esponja limpia o un paño suave y un detergente suave con agua tibia.
3. Limpie las superficies exteriores.

**Metal pintado:** Limpie el exterior de metal pintado con un paño limpio y liso, o una esponja y un detergente suave en agua tibia. Enjuague las superficies con agua tibia limpia y séquelas inmediatamente para evitar las manchas de agua.

**Acero inoxidable:** Lave las superficies de acero inoxidable con un paño limpio y liso o una esponja y un detergente suave en agua tibia. Enjuague las superficies con agua tibia limpia y séquelas inmediatamente para evitar las manchas de agua.

**NOTA:** Cuando limpie el acero inoxidable, siempre talle en la dirección del hilo para evitar rayar a través del mismo.

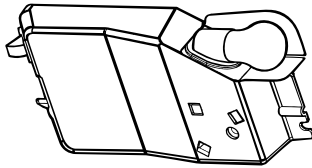
4. Limpie los serpentines del condensador regularmente. Quizás necesite limpiar los serpentines cada dos meses. Esto puede ayudar a ahorrar energía.
  - Jale el refrigerador alejándolo de la pared. Vea “Desempaque el refrigerador”.
  - Pásele la aspiradora a los serpentines siempre que estén polvorientos o sucios.
  - Haga rodar el refrigerador nuevamente hasta su lugar. Asegúrese de dejar 1" (2,5 cm) de espacio entre la parte trasera de carcasa y la pared.
  - Compruebe si el refrigerador está nivelado.
5. Enchufe el refrigerador o reconecte el suministro de energía.

## Cómo cambiar los focos

**NOTA:** No todas los focos para electrodomésticos son adecuados para su refrigerador. Asegúrese de reemplazar el foco con otro foco para electrodomésticos del mismo tamaño, forma y vataje (que no sea de más de 40 vatios).

### Luz del refrigerador

1. Desenchufe el refrigerador o desconecte el suministro de energía.
2. Localice el foco que se encuentra detrás del panel de control y desenrósquelo.
3. Reemplace el foco con un foco para electrodomésticos de 40 vatios.
4. Enchufe el refrigerador o reconecte el suministro de energía.



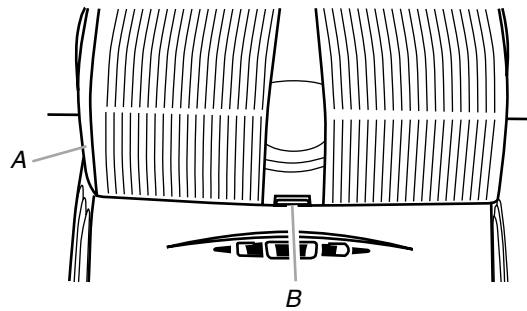
### Luz del congelador (en algunos modelos)

**NOTA:** No todas los focos para electrodomésticos son adecuados para su refrigerador. Asegúrese de reemplazar el foco con otro foco para electrodomésticos del mismo tamaño, forma y vataje (que no sea de más de 15 vatios).

1. Desenchufe el refrigerador o desconecte el suministro de energía.
2. Saque el estante del congelador.
3. Usando un destornillador de cabeza plana, libere el seguro ubicado en el centro de la pantalla de luz.
4. Sujete ambos extremos de la pantalla de luz y presione hacia dentro con cuidado para liberarla de la cubierta del evaporador.

5. Reemplace el foco fundido con un foco para electrodomésticos T25 de 15 vatios con un casquillo E14.
 

**NOTA:** Este foco para electrodomésticos se puede pedir con su departamento de servicio o con un proveedor de piezas de repuesto para electrodomésticos.



A. Pantalla de luz  
B. Seguro de la pantalla de luz

6. Vuelva a colocar la pantalla de luz.
7. Enchufe el refrigerador o reconecte el suministro de energía.

## Cómo cambiar el filtro de aire

Su refrigerador tiene un filtro de aire FreshFlow, ubicado en la rejilla de ventilación, en la pared interior que está encima de la tapa del cajón para verduras.

El filtro de aire FreshFlow combate los olores producidos por los alimentos y es hasta 15 veces más eficaz que el bicarbonato de sodio, lo que ayuda a mantener un ambiente más limpio dentro del refrigerador.

**IMPORTANTE:** El filtro de aire desechable deberá ser reemplazado cada 6 meses, ya que perderá gradualmente sus propiedades para combatir los olores.

### Estado del filtro de aire

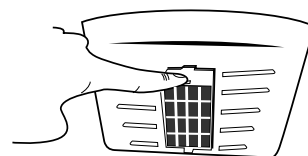
- El ícono del filtro en la pantalla del panel de control le permitirá saber cuándo es tiempo de cambiar el filtro de aire. La barra del indicador de estado que está debajo del ícono disminuirá y desaparecerá gradualmente, y el indicador comenzará a destellar.
- Después de reemplazar el filtro de aire, presione y sostenga simultáneamente los controles de Temperature (Temperatura) y Adjust (Ajuste) durante 3 segundos. Aparecerá en la pantalla la barra indicadora de estado. Vea “Uso de los controles”.

**NOTA:** Usted no tiene que esperar a que desaparezca la barra indicadora, sino que puede volver a fijar la característica de seguimiento de estado cuando lo necesite.

### Reemplazo del filtro de aire

Para pedir un filtro de aire de repuesto, póngase en contacto con Whirlpool según la información acerca de asistencia o servicio, que aparece después de la garantía.

1. Con su dedo índice, presione la lengüeta superior del cartucho del filtro y luego jale suavemente hasta que se suelte el cartucho.
2. Inserte el nuevo filtro en la cavidad y empuje suavemente hasta que encaje en su lugar.



# SOLUCIÓN DE PROBLEMAS

Pruebe primero las soluciones sugeridas aquí o visite nuestro sitio de internet y consulte “Preguntas que se hacen con frecuencia”, para evitar posiblemente el costo de una visita de servicio técnico. En EE.UU., [www.whirlpool.com](http://www.whirlpool.com) En Canadá, [www.whirlpool.ca](http://www.whirlpool.ca)

## Funcionamiento del refrigerador

### El refrigerador no funciona

#### **ADVERTENCIA**



#### Peligro de Choque Eléctrico

Conecte a un contacto de pared de conexión a tierra de 3 terminales.

No quite la terminal de conexión a tierra.

No use un adaptador.

No use un cable eléctrico de extensión.

No seguir estas instrucciones puede ocasionar la muerte, incendio o choque eléctrico.

- **¿Está desenchufado el cable eléctrico?** Conecte a un contacto de pared de conexión a tierra de 3 terminales.
- **¿Funciona el contacto?** Enchufe una lámpara para ver si funciona el contacto.
- **¿Hay un fusible de la casa fundido o se disparó el cortacircuitos?** Reemplace el fusible o reposicione el cortacircuitos. Si el problema continúa, llame a un electricista.
- **¿Está(n) encendido(s) el(los) control(es)?** Asegúrese de que el control del refrigerador esté encendido. Vea “Uso del(de los) control(es)”.
- **¿Es nueva la instalación?** Deje transcurrir 24 horas después de la instalación para que el refrigerador se enfríe por completo.

**NOTA:** El ajustar el (los) control(es) de temperatura en la posición más fría no enfriará ningún compartimiento más rápido.

### Parece que el motor funciona excesivamente

Es posible que su nuevo refrigerador funcione por períodos más largos que su refrigerador anterior debido al compresor y los ventiladores de alto rendimiento. Es posible que la unidad funcione por más tiempo si la habitación está caliente, si se ha agregado una gran cantidad de alimentos, si se abre la puerta con frecuencia o si se ha dejado la misma abierta.

### Parece que el refrigerador es ruidoso

El ruido del refrigerador se ha ido reduciendo a lo largo de los años. Debido a esta reducción, es posible que escuche ruidos intermitentes en su nuevo refrigerador que no había notado en el modelo viejo. A continuación se enumeran algunos sonidos normales con explicaciones.

- **Sonido pulsante** - los ventiladores/el compresor se están ajustando para obtener el máximo desempeño.
- **Sonido sibilante/vibraciones** - flujo de líquido refrigerante, movimiento de la tubería de agua o artículos guardados arriba del refrigerador.
- **Estallido** - contracción/expansión de las paredes interiores, especialmente durante el enfriamiento inicial.
- **Agua corriendo/goteando/chisporroteando** - puede escucharse cuando el hielo se derrite durante la descongelación y el agua corre hacia la bandeja recolectora. Se puede escuchar el agua que gotea sobre las tuberías por algunos minutos después de que el refrigerador detiene la marcha.
- **Murmullo/chirrido suave** - el ventilador y el aire en movimiento.
- **Pitidos** - Alarma de puerta entreabierta (en algunos modelos) - Si la(s) puerta(s) se ha(n) dejado abierta(s) por más de 2 minutos, la alarma de puerta entreabierta comenzará a hacer pitidos y continuará haciéndolos hasta que la(s) puerta(s) se cierre(n).

### La puerta no cierra completamente

- **¿Está bloqueada la puerta?** Mueva los paquetes de alimentos lejos de la puerta.
- **¿Hay un recipiente o un estante bloqueando el paso?** Empuje el recipiente o el estante nuevamente a la posición correcta.
- **¿Está obstruyendo la puerta la tapa del compartimiento para verduras?** Asegúrese de empujar bien la tapa del compartimiento para verduras, de manera que la parte posterior descansa sobre los soportes.

## **ADVERTENCIA**



### **Peligro de Explosión**

**Use un limpiador no inflamable.**

**No seguir esta instrucción puede ocasionar la muerte, explosión o incendio.**

- **¿Están las juntas sucias o pegajosas?** Limpie las juntas y las superficies de contacto con jabón suave y agua tibia. Enjuague y seque con un paño suave.

## Temperatura y humedad

### La temperatura está demasiado caliente

- **¿Es una nueva instalación?** Deje transcurrir 24 horas después de la instalación para que el refrigerador se enfríe por completo.
- **¿Se abre o se deja abierta la puerta a menudo?** Esto hace que entre aire tibio al refrigerador. Reduzca al mínimo el número de veces que abre la puerta y mantenga la puerta completamente cerrada.
- **¿Se ha agregado una gran cantidad de alimentos?** Deje que transcurran varias horas para que el refrigerador vuelva a la temperatura normal.
- **¿Se ha(n) ajustado el(los) control(es) correctamente de acuerdo con las condiciones circundantes?** Ajuste el(los) control(es) un ajuste más frío. Fíjese en la temperatura en 24 horas. Vea "Uso del(de los) control(es)".

### Hay acumulación de humedad en el interior

**NOTA:** Es normal que se acumule un poco de humedad.

- **¿Está húmeda la habitación?** Esto contribuye a la acumulación de humedad.
- **¿Se abre o se deja abierta la puerta a menudo?** Esto hace que entre aire húmedo al refrigerador. Reduzca al mínimo el número de veces que abre la puerta y mantenga la puerta completamente cerrada.

## Hielo y agua

### La fábrica de hielo no produce hielo o no produce suficiente hielo

- **¿Se ha conectado el refrigerador a un suministro de agua y se ha abierto la válvula de cierre?** Conecte el refrigerador al suministro de agua y abra completamente la válvula de cierre.
- **¿Hay un estrechamiento en la tubería de suministro de agua?** Un estrechamiento en la tubería puede reducir el flujo de agua. Enderece la tubería de suministro de agua.
- **¿Está encendida la fábrica de hielo?** Asegúrese de que el brazo o interruptor de cierre de alambre (dependiendo del modelo) esté en la posición de ON (Encendido).
- **¿Es nueva la instalación?** Espere 24 horas después de la instalación de la fábrica de hielo para que empiece a producir hielo. Deje transcurrir 72 horas para la producción total de hielo.
- **¿Se acaba de sacar una gran cantidad de hielo?** Deje transcurrir 24 horas para que la fábrica de hielo produzca más hielo.
- **¿Se trabó un cubo de hielo en el brazo eyector de la fábrica de hielo?** Saque el hielo del brazo eyector con un utensilio de plástico.
- **¿Se ha conectado un sistema de filtración de agua de ósmosis inversa al suministro de agua fría?** Esto puede hacer que disminuya la presión de agua. Vea "Requisitos del suministro de agua".

### Los cubos de hielo son huecos o pequeños

**NOTA:** Esto es una indicación de baja presión de agua.

- **¿No está abierta por completo la válvula de cierre de agua?** Abra completamente la válvula de cierre de agua.
- **¿Hay un estrechamiento en la tubería de suministro de agua?** Un estrechamiento en la tubería puede reducir el flujo de agua. Enderece la tubería de suministro de agua.
- **¿Se ha conectado un sistema de filtración de agua de ósmosis inversa al suministro de agua fría?** Esto puede hacer que disminuya la presión de agua. Vea "Requisitos del suministro de agua".
- **¿Aún tiene preguntas acerca de la presión de agua?** Llame a un plomero competente autorizado.

### El hielo tiene mal sabor, mal olor o un color grisáceo

- **¿Son nuevas las conexiones de plomería?** Las conexiones nuevas de plomería pueden producir un hielo descolorido o de mal sabor.
- **¿Se han guardado los cubos de hielo por mucho tiempo?** Deseche ese hielo. Lave el depósito de hielo. Deje transcurrir 24 horas para que la fábrica de hielo produzca hielo nuevo.
- **¿Ha habido una transferencia de olor de los alimentos?** Use empaques herméticos contra humedad para almacenar comida.
- **¿Contiene el agua minerales (como el azufre)?** Podría ser necesario instalar un filtro de agua para eliminar los minerales.

---

# GARANTÍA DE LOS ELECTRODOMÉSTICOS PRINCIPALES DE WHIRLPOOL CORPORATION

---

## GARANTÍA LIMITADA

Durante un año a partir de la fecha de compra, siempre y cuando se dé a este electrodoméstico principal un uso y mantenimiento de conformidad con las instrucciones adjuntas o provistas con el producto, Whirlpool Corporation o Whirlpool Canada LP (en lo sucesivo denominado "Whirlpool"), se hará cargo del costo de las piezas especificadas de fábrica y del trabajo de reparación para corregir defectos en los materiales o en la mano de obra, existentes en el momento de la compra de este electrodoméstico principal. El servicio deberá ser suministrado por una compañía de servicio designada por Whirlpool. SU ÚNICO Y EXCLUSIVO RECURSO SEGÚN LOS TÉRMINOS DE ESTA GARANTÍA LIMITADA SERÁ EL DE REPARAR EL PRODUCTO SEGÚN SE ESTIPULA EN LA PRESENTE. Esta garantía limitada es válida solamente en Estados Unidos o en Canadá, y se aplica solamente cuando el electrodoméstico principal se use en el país en el que se ha comprado. Se requiere una prueba de la fecha de compra original para obtener servicio bajo esta garantía limitada.

---

## EXCLUSIONES DE LA GARANTÍA

### Esta garantía limitada no cubre:

1. Piezas de repuesto o mano de obra si este electrodoméstico principal se usa de un modo diferente al doméstico normal de una familia, o cuando se use de un modo contrario a las instrucciones publicadas para el usuario u operador y/o las instrucciones de instalación.
  2. Visitas de servicio técnico para corregir la instalación de su electrodoméstico principal, para enseñarle a usar su electrodoméstico principal, para cambiar o reparar fusibles domésticos o para corregir la instalación eléctrica o de la tubería de la casa.
  3. Visitas de servicio técnico para reparar o reemplazar focos para electrodomésticos, filtros de aire o filtros de agua. Las piezas de consumo están excluidas de la cobertura de la garantía.
  4. Daños causados por accidente, alteración, uso indebido, abuso, incendio, inundación, actos fortuitos, instalación incorrecta, instalación que no esté de acuerdo con los códigos eléctricos o de plomería, o el empleo de productos no aprobados por Whirlpool.
  5. Daños estéticos, incluyendo rayaduras, abolladuras, desportilladuras u otro daño al acabado de su electrodoméstico principal, a menos que el mismo sea debido a defectos en los materiales o la mano de obra y se le informe a Whirlpool en un lapso de 30 días a partir de la fecha de compra.
  6. Cualquier pérdida de comida o medicamentos debido a fallas del refrigerador o del congelador.
  7. Recogida y entrega. Este electrodoméstico principal se ha destinado para ser reparado en el hogar.
  8. Reparaciones de piezas o sistemas como resultado de modificaciones no autorizadas que se hayan efectuado en el electrodoméstico.
  9. Gastos de viaje y transporte para obtener servicio para el producto, si su electrodoméstico principal está ubicado en un lugar remoto en el cual no haya disponible un técnico de servicio autorizado por Whirlpool.
  10. La remoción y reinstalación de su electrodoméstico principal, si estuviera instalado en un lugar inaccesible o si no estuviera instalado de conformidad con las instrucciones de instalación publicadas por Whirlpool.
  11. Piezas de repuesto o mano de obra en electrodomésticos principales con números de modelo/serie originales que se hayan removido, alterado o que no puedan ser identificados con facilidad.
  12. Decoloración, herrumbre u oxidación de las superficies de acero inoxidable.
- 

## EXCLUSIÓN DE GARANTÍAS IMPLÍCITAS

LAS GARANTÍAS IMPLÍCITAS, INCLUYENDO CUALQUIER GARANTÍA IMPLÍCITA DE COMERCIABILIDAD O GARANTÍA IMPLÍCITA DE CAPACIDAD PARA UN PROPÓSITO PARTICULAR, SERÁN LIMITADAS A UN AÑO O AL PERÍODO MÁS CORTO PERMITIDO POR LEY. Algunos estados y provincias no permiten la limitación de la duración de garantías implícitas de comerciabilidad o aptitud, de modo que la limitación arriba indicada quizás no le corresponda. Esta garantía le otorga derechos legales específicos, y es posible que usted tenga también otros derechos que varían de un estado a otro o de una provincia a otra.

---

## LIMITACIÓN DE RECURSOS; EXCLUSIÓN DE DAÑOS INCIDENTALES O CONSECUENTES

SU ÚNICO Y EXCLUSIVO RECURSO SEGÚN LOS TÉRMINOS DE ESTA GARANTÍA LIMITADA SERÁ EL DE REPARAR EL PRODUCTO SEGÚN SE ESTIPULA EN LA PRESENTE. WHIRLPOOL NO SE RESPONSABILIZARÁ POR DAÑOS INCIDENTALES O CONSECUENTES. Algunos estados y provincias no permiten la exclusión o limitación de daños incidentales o consecuentes, de modo que estas limitaciones y exclusiones quizás no le correspondan. Esta garantía le otorga derechos legales específicos, y es posible que usted tenga también otros derechos que varían de un estado a otro o de una provincia a otra.

---

Si usted se encuentra fuera de los cincuenta Estados Unidos y Canadá, póngase en contacto con su distribuidor autorizado de Whirlpool para determinar si corresponde otra garantía.

3/09

---

Para obtener información adicional acerca de su producto, en EE.UU. visite **www.whirlpool.com**  
En Canadá, visite **www.whirlpool.ca**

Si usted no tiene acceso a internet y necesita ayuda para usar su producto, o si quisiera hacer una cita para obtener servicio, puede ponerse en contacto con Whirlpool, en el número que se indica a continuación.

*Tenga listo su número de modelo completo. Puede encontrar el número de modelo y de serie en la etiqueta ubicada en la pared interior del compartimiento del refrigerador.*

Si necesita ayuda o servicio técnico, en EE.UU., llame al 1-800-253-1301. En Canadá, llame al 1-800-807-6777.

Si necesita asistencia adicional, puede escribir a Whirlpool con sus preguntas o dudas a la dirección que aparece a continuación:

En los EE.UU.:

Whirlpool Brand Home Appliances  
Customer eXperience Center  
553 Benson Road  
Benton Harbor, MI 49022-2692

En Canadá:

Whirlpool Brand Home Appliances  
Customer eXperience Centre  
200 – 6750 Century Ave.  
Mississauga, Ontario L5N 0B7

Por favor incluya en su correspondencia un número de teléfono en el que se le pueda localizar durante el día.

Sírvase guardar estas Instrucciones para el usuario y la información con el número de modelo, para referencia futura.



# INSTRUCTIONS D'UTILISATION DU RÉFRIGÉRATEUR

Nous vous REMERCIONS d'avoir acheté ce produit de haute qualité. Si vous rencontrez un problème non mentionné dans la section DÉPANNAGE, veuillez visiter notre site Web [www.whirlpool.com](http://www.whirlpool.com) pour des informations supplémentaires. Si vous avez toujours besoin d'assistance, veuillez nous téléphoner au 1-800-253-1301. Au Canada, visitez notre site Web [www.whirlpool.ca](http://www.whirlpool.ca) ou téléphonez-nous au 1-800-807-6777.

Vous aurez besoin de vos numéros de modèle et de série situés sur la paroi interne du compartiment de réfrigération.

## SÉCURITÉ DU RÉFRIGÉRATEUR

### Votre sécurité et celle des autres est très importante.

Nous donnons de nombreux messages de sécurité importants dans ce manuel et sur votre appareil ménager. Assurez-vous de toujours lire tous les messages de sécurité et de vous y conformer.



Voici le symbole d'alerte de sécurité.

Ce symbole d'alerte de sécurité vous signale les dangers potentiels de décès et de blessures graves à vous et à d'autres.

Tous les messages de sécurité suivront le symbole d'alerte de sécurité et le mot "DANGER" ou "AVERTISSEMENT". Ces mots signifient :

**⚠ DANGER**

**Risque possible de décès ou de blessure grave si vous ne suivez pas immédiatement les instructions.**

**⚠ AVERTISSEMENT**

**Risque possible de décès ou de blessure grave si vous ne suivez pas les instructions.**

Tous les messages de sécurité vous diront quel est le danger potentiel et vous disent comment réduire le risque de blessure et ce qui peut se produire en cas de non-respect des instructions.

### IMPORTANTES INSTRUCTIONS DE SÉCURITÉ

**AVERTISSEMENT :** Pour réduire les risques d'incendie, de choc électrique ou des blessures lors de l'utilisation du réfrigérateur, prendre quelques précautions fondamentales, y compris les suivantes :

- Brancher l'appareil sur une prise à 3 alvéoles reliée à la terre.
- Ne pas enlever la broche de liaison à la terre.
- Ne pas utiliser un adaptateur.
- Ne pas utiliser un câble de rallonge.
- Débrancher la source de courant électrique avant l'entretien.
- Replacer pièces et panneaux avant de faire la remise en marche.
- Enlever les portes de votre vieux réfrigérateur.
- Utiliser un produit de nettoyage ininflammable.
- Garder les matériaux et les vapeurs inflammables, telle que l'essence, loin du réfrigérateur.
- Utiliser deux ou plus de personnes pour déplacer et installer le réfrigérateur.
- Débrancher le réfrigérateur avant l'installation de la machine à glaçons (seulement pour modèles prêts à recevoir une machine à glaçons).

**CONSERVEZ CES INSTRUCTIONS**

## Mise au rebut de votre vieux réfrigérateur

### **⚠️ AVERTISSEMENT**

#### Risque de suffoquer

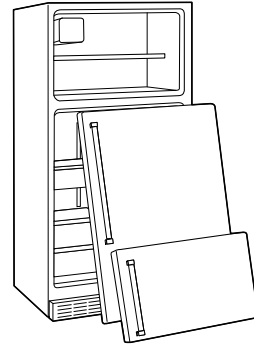
Enlever les portes de votre vieux réfrigérateur.

Le non-respect de cette instruction peut causer un décès ou des lésions cérébrales.

**IMPORTANT :** L'emprisonnement et l'étouffement des enfants ne sont pas un problème du passé. Les réfrigérateurs jetés ou abandonnés sont encore dangereux, même s'ils sont laissés abandonnés pendant "quelques jours seulement". Si vous vous débarrassez de votre vieux réfrigérateur, veuillez suivre les instructions suivantes pour aider à éviter les accidents.

## Avant de jeter votre vieux réfrigérateur ou congélateur :

- Enlever les portes.
- Laisser les tablettes en place de sorte que les enfants ne peuvent pas y pénétrer facilement.



## INSTRUCTIONS D'INSTALLATION

### Déballage du réfrigérateur

### **⚠️ AVERTISSEMENT**

#### Risque du poids excessif

Utiliser deux ou plus de personnes pour déplacer et installer le réfrigérateur.

Le non-respect de cette instruction peut causer une blessure au dos ou d'autre blessure.

#### Déplacement de votre réfrigérateur :

Votre réfrigérateur est lourd. Lors du déplacement de votre réfrigérateur pour le nettoyage ou un entretien ou réparation, veiller à recouvrir le plancher avec du carton ou un panneau de fibres dures pour éviter qu'il ne subisse tout dommage. Toujours tirer le réfrigérateur tout droit lors de son déplacement. Ne pas incliner le réfrigérateur d'un côté ou de l'autre ni le "faire marcher" en essayant de le déplacer car le plancher pourrait être endommagé.

#### Enlèvement des matériaux d'emballage

- Enlever le ruban adhésif et la colle des surfaces du réfrigérateur avant de le mettre en marche. Frotter une petite quantité de savon liquide pour la vaisselle sur l'adhésif avec les doigts. Rincer à l'eau tiède et essuyer.
- Ne pas utiliser d'instruments coupants, d'alcool à friction, de liquides inflammables ou de nettoyants abrasifs pour enlever le ruban adhésif ou la colle. Ces produits peuvent endommager la surface de votre réfrigérateur. Pour plus de renseignements, voir "Sécurité du réfrigérateur".
- Sur certains modèles, des tablettes, bacs, glissières de tablettes dans la porte et autres pièces peuvent être emballés dans la trousse FeaturePak. Suivre les instructions contenues dans l'emballage pour le montage approprié.
- Il y a quatre boulons qui arriment le réfrigérateur à la boîte d'expédition. Ces boulons ne sont pas utilisés pour établir l'aplomb du réfrigérateur. Pour établir l'aplomb du réfrigérateur, voir "Ajustement des portes".
- Jeter ou recycler tous les matériaux d'emballage.

**IMPORTANT :** Ne pas enlever l'encart en mousse blanche du retour d'air situé derrière le panneau de commande au plafond du réfrigérateur (sur certains modèles). L'encart fait partie du réfrigérateur et n'est pas un matériau d'emballage. Si l'encart est enlevé, de la glace peut se former en provenance du congélateur et causer la formation de glaçons.

#### Nettoyage avant l'utilisation

Après avoir enlevé tous les matériaux d'emballage, nettoyer l'intérieur du réfrigérateur avant de l'utiliser. Voir les instructions de nettoyage dans "Entretien du réfrigérateur".

#### Importants renseignements à savoir au sujet des tablettes et des couvercles en verre :

Ne pas nettoyer les tablettes ou couvercles en verre avec de l'eau tiède quand ils sont froids. Les tablettes et les couvercles peuvent se briser s'ils sont exposés à des changements soudains de température ou à un impact tel que coup brusque. Le verre trempé est conçu pour éclater en d'innombrables pièces minuscules. Ceci est normal. Les tablettes et les couvercles en verre sont lourds. Les saisir à deux mains lors de leur dépose afin d'éviter de les faire tomber.

## Exigences d'emplacement

### ⚠ AVERTISSEMENT



#### Risque d'explosion

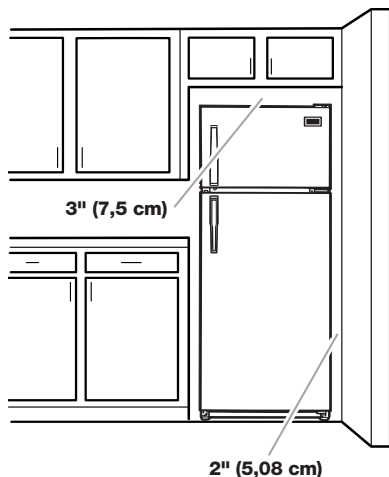
Garder les matériaux et les vapeurs inflammables, telle que l'essence, loin du réfrigérateur.

Le non-respect de cette instruction peut causer un décès, une explosion ou un incendie.

Pour obtenir une aération appropriée pour votre réfrigérateur, laissez un espace de ½" (12,70 mm) de chaque côté. Laissez un espace de 3" (7,5 cm) entre le dessus du réfrigérateur et les placards muraux. Laissez au moins 1" (25,40 mm) entre l'arrière du réfrigérateur et le mur. Si votre réfrigérateur comporte une machine à glaçons, s'assurer qu'un espace additionnel est prévu à l'arrière pour permettre les connexions des conduits d'eau.

- Si vous installez votre réfrigérateur près d'un mur fixe, laisser un minimum de 2" (5,08 cm) du côté des charnières (selon le modèle) pour permettre à la porte de s'ouvrir sans obstruction.
- Établir l'aplomb du réfrigérateur. Voir "Ajustement des portes".

**REMARQUE :** Il est recommandé de ne pas installer le réfrigérateur près d'un four, d'un radiateur ou de toute autre source de chaleur. Ne pas installer le réfrigérateur dans un endroit où la température baissera au-dessous de 55°F (13°C).



## Spécifications électriques

### ⚠ AVERTISSEMENT



#### Risque de choc électrique

Brancher sur une prise à 3 alvéoles reliée à la terre.

Ne pas enlever la broche de liaison à la terre.

Ne pas utiliser un adaptateur.

Ne pas utiliser un câble de rallonge.

Le non-respect de ces instructions peut causer un décès, un incendie ou un choc électrique.

Avant de placer le réfrigérateur à son emplacement final, il est important de vous assurer d'avoir la connexion électrique appropriée.

#### Méthode recommandée de mise à la terre

Une source d'alimentation de 115 volts, 60 Hz, type 15 ou 20 ampères CA seulement, protégée par fusibles et adéquatement mise à la terre est nécessaire. Il est recommandé d'utiliser un circuit distinct pour alimenter uniquement votre réfrigérateur. Utiliser une prise murale qui ne peut pas être mise hors circuit à l'aide d'un commutateur. Ne pas utiliser de câble de rallonge.

**REMARQUE :** Avant d'exécuter tout type d'installation, nettoyage ou remplacement d'une ampoule d'éclairage, désactiver le refroidissement et/ou déconnecter le réfrigérateur de la source de courant électrique.

**Style 1** - Pour les modèles à commande manuelle, positionner la commande sur OFF (arrêt), puis déconnecter le réfrigérateur de la source de courant électrique.

**Style 2** - Pour les modèles à commande électronique, déconnecter le réfrigérateur de la source de courant électrique.

Lorsque vous avez terminé, reconnecter le réfrigérateur à la source d'alimentation électrique et mettre de nouveau la commande au réglage désiré. Voir "Utilisation des commandes".

## Spécifications de l'alimentation en eau

Lire attentivement toutes les instructions avant de commencer.

#### IMPORTANT :

- Si on doit utiliser le réfrigérateur avant qu'il soit raccordé à la canalisation d'eau, placer la commande de la machine à glaçons à la position OFF (arrêt).
- Toutes les installations doivent être conformes aux exigences des codes locaux de plomberie.
- Utiliser un tube en cuivre et vérifier s'il y a des fuites. Installer les tubes en cuivre seulement à des endroits où la température se maintient au-dessus du point de congélation.

**OUTILLAGE NÉCESSAIRE :** Tournevis à lame plate, clés plates de 7/16" et 1/2" ou deux clés à molette réglables, tourne-écrou et foret de 1/4", perceuse sans fil. Rassembler les outils et pièces nécessaires avant de commencer l'installation. Lire et suivre les instructions fournies avec les outils indiqués ici.

**REMARQUE :** Votre marchand de réfrigérateurs présente une trousse disponible avec un robinet d'arrêt à étrier de 1/4" (6,35 mm), un raccord et un tube en cuivre. Avant l'achat, s'assurer que le robinet d'arrêt à étrier est conforme à vos codes locaux de plomberie. Ne pas employer de robinet d'arrêt à étrier de 3/16" (4,76 mm) ou de type à percer, ce qui réduit le débit d'eau et cause une obstruction plus facilement.

## Pression de l'eau

Une alimentation en eau froide avec une pression entre 30 et 120 lb/po<sup>2</sup> (207 et 827 kPa) est nécessaire pour faire fonctionner la machine à glaçons. Si vous avez des questions au sujet de la pression de votre eau, faire appel à un plombier qualifié agréé.

### Alimentation en eau par osmose inverse

Si un système de purification de l'eau par osmose inverse est raccordé à votre alimentation en eau froide, la pression de l'eau au système doit être d'un minimum de 40 à 60 lb/po<sup>2</sup> (276 à 414 kPa).

Si la machine à glaçons ne distribue toujours pas d'eau au débit approprié :

- Vérifier pour voir si le filtre du système d'osmose inverse est bloqué, et le remplacer si nécessaire.
- Laisser le réservoir du système d'osmose inverse se remplir après une utilisation intense.

Si vous avez des questions au sujet de la pression de votre eau, appeler un plombier qualifié agréé.

## Raccordement de la canalisation d'eau

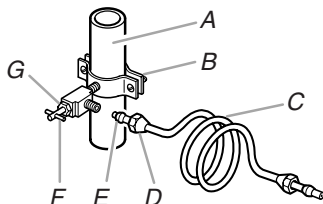
(sur certains modèles)

Lire toutes les instructions avant de commencer.

**IMPORTANT :** Si on met en marche le réfrigérateur avant son raccordement à la canalisation d'eau, placer la commande de la machine à glaçons à la position OFF (arrêt).

### Raccordement à une canalisation d'eau

1. Débrancher le réfrigérateur ou déconnecter la source de courant électrique.
2. FERMER le robinet principal d'arrivée d'eau. OUVRIR le robinet de puisage le plus proche pendant une période suffisante pour que la canalisation d'eau se vide.
3. Trouver une canalisation d'eau froide verticale de ½" à 1¼" (1,27 à 3,18 cm) près du réfrigérateur.  
**IMPORTANT :**
  - S'assurer qu'il s'agit d'une canalisation d'eau froide.
  - Un conduit horizontal fonctionnera mais percer par le dessus de la canalisation et non pas par le dessous. Ainsi, l'eau ne risquera pas d'arroser la perceuse et ceci empêchera également les sédiments qu'on trouve normalement dans l'eau de s'accumuler dans le robinet d'arrêt.
4. Pour déterminer la longueur du tube en cuivre, il faut mesurer la distance entre le point de connexion inférieur gauche à l'arrière du réfrigérateur et le tuyau de canalisation d'eau d'eau. Ajouter une longueur de 7 pi (2,1 m) pour permettre le déplacement du réfrigérateur pour le nettoyage. Utiliser un tube en cuivre de ¼" (6,35 mm) de diamètre extérieur. Veiller à ce que le tube soit coupé d'équerre aux deux extrémités.
5. À l'aide d'une perceuse sans fil, percer un trou de ¼" dans le tuyau de canalisation d'eau froide choisie.



- A. Tuyau de canalisation d'eau froide
- B. Bride de tuyau
- C. Tube en cuivre
- D. Écrou de compression
- E. Bague de compression
- F. Robinet d'arrêt
- G. Écrou de serrage

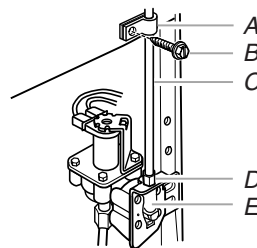
6. Fixer le robinet d'arrêt sur la canalisation d'eau froide avec la bride de tuyau. Vérifier que l'extrémité de sortie du robinet est bien engagée dans le trou de ¼" percé dans la canalisation et que la rondelle d'étanchéité est placée sous la bride de tuyau. Serrer l'écrou de serrage. Serrer lentement et uniformément les vis de la bride de tuyau afin que la rondelle forme une jonction étanche. Ne pas serrer excessivement.
7. Enfiler l'écrou et la bague de compression du raccord sur le tube en cuivre comme on le voit sur l'illustration. Insérer l'extrémité du tube aussi loin que possible dans l'extrémité de sortie du robinet. Visser l'écrou de compression sur l'extrémité de sortie avec une clé à molette. Ne pas serrer excessivement.
8. Placer le bout libre du tube dans un contenant ou évier et OUVRIR le robinet principal d'arrivée d'eau et laisser l'eau s'écouler par le tube jusqu'à ce que l'eau soit limpide. FERMER le robinet principal d'arrivée d'eau. Enrouler le tube en cuivre en spirale.

### Raccordement au réfrigérateur

**REMARQUE :** Pour les modèles en kit, installer la valve d'entrée d'eau sur le réfrigérateur conformément aux instructions du kit.

#### Style 1

1. Débrancher le réfrigérateur ou déconnecter la source de courant électrique.
2. Connecter le tube en cuivre au robinet d'eau en utilisant un écrou et une bague de compression tel qu'illustré. Serrer l'écrou de compression. Ne pas serrer excessivement.
3. Utiliser la bride du tube à l'arrière du réfrigérateur pour fixer le tube au réfrigérateur tel qu'illustré. Ceci aidera à éviter les dommages au tube lorsque le réfrigérateur est poussé contre le mur.
4. OUVRIR le robinet d'arrêt.
5. Inspecter pour rechercher les fuites. Serrer tous les raccords (y compris les raccords de la valve d'entrée d'eau) ou les écrous qui fuient.



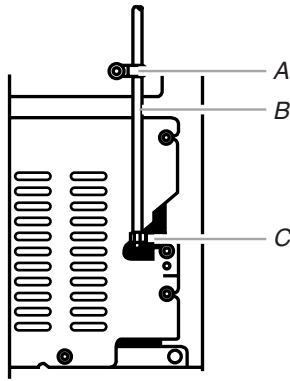
- A. Bride du tube
- B. Vis de bride du tube
- C. Tube en cuivre
- D. Écrou de compression
- E. Valve d'entrée d'eau

6. La machine à glaçons est équipée d'un filtre à eau incorporé. Si la qualité de l'eau distribuée localement nécessite un deuxième filtre à eau, il serait utile de l'installer dans la canalisation d'eau de ¼" (6,35 mm) sur l'un ou l'autre des raccords du tuyau. On peut obtenir un tel filtre à eau chez le marchand d'appareils électroménagers le plus proche.

#### Style 2

1. Débrancher le réfrigérateur ou déconnecter la source de courant électrique.
2. Déconnecter la bride du tube à l'arrière du produit et introduire le tube en cuivre dans la bride, tel qu'indiqué.
3. Connecter le tube en cuivre à l'entrée d'eau de la valve en utilisant un écrou et une bague de compression tel qu'illustré.

4. Serrer l'écrou de compression. Ne pas serrer excessivement. Rattacher la bride du tube et le tube à l'arrière de la caisse.



A. Bride du tube C. Écrou de compression  
B. Tube en cuivre

5. OUVRIER le robinet d'arrêt. Inspecter pour rechercher les fuites. Serrer tous les raccords (y compris les raccordements de la valve d'entrée d'eau) ou les écrous qui fuient.
6. La machine à glaçons est équipée d'un filtre à eau incorporé. Si la qualité de l'eau distribuée localement nécessite un deuxième filtre à eau, il serait utile de l'installer dans la canalisation d'eau de 1/4" (6,35 mm) sur l'un ou l'autre des raccords du tuyau. On peut obtenir un tel filtre à eau chez le marchand d'appareils électroménagers le plus proche.

#### Achever l'installation

## ⚠ AVERTISSEMENT



### Risque de choc électrique

- Brancher sur une prise à 3 alvéoles reliée à la terre.
- Ne pas enlever la broche de liaison à la terre.
- Ne pas utiliser un adaptateur.
- Ne pas utiliser un câble de rallonge.
- Le non-respect de ces instructions peut causer un décès, un incendie ou un choc électrique.

1. Brancher sur une prise à 3 alvéoles reliée à la terre.

**REMARQUE :** Attendre 24 heures pour produire la première quantité de glaçons. Jeter les trois premières quantités de glaçons produites. Attendre 3 jours pour que le bac à glaçons se remplisse entièrement.

## Portes du réfrigérateur

Il peut être nécessaire de retirer les portes du réfrigérateur afin que celui-ci puisse passer dans l'entrée de votre domicile. Voir les instructions ci-dessous pour la dépose et la remise en place des portes.

### IMPORTANT :

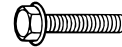
- Les portes ne sont pas réversibles.
- Retirer la porte toute entière, et non pas seulement les poignées. Il est plus difficile de remettre les poignées en place correctement.
- Votre réfrigérateur est équipé soit de commandes manuelles (**style 1**), soit de commandes électroniques (**style 2**).

Respecter les instructions et les illustrations relatives au modèle utilisé.

- Avant de commencer, placer la commande du réfrigérateur à OFF (arrêt). Débrancher le réfrigérateur ou déconnecter la source de courant électrique.
- Retirer les aliments et tout balconnet de la porte du réfrigérateur.
- Toutes les illustrations mentionnées dans les instructions suivantes sont incluses plus loin dans cette section.

**OUTILLAGE NÉCESSAIRE :** Clé à douille à tête hexagonale de 5/16", tournevis Phillips n° 2, tournevis à lame plate, clé plate de 5/16" couteau à mastic de 2".

### Démontage - Portes et charnières



Vis de charnière à tête hexagonale de 5/16"

1. Débrancher le réfrigérateur ou déconnecter la source de courant électrique.
2. Fermer la porte du réfrigérateur; maintenir les deux portes fermées jusqu'au moment où on est prêt à les séparer de la caisse de l'appareil.
 

**REMARQUE :** Prévoir un support additionnel des portes pendant le déplacement des charnières. La force d'attraction des aimants des portes ne suffit pas à les maintenir en place pendant la manutention.
3. Retirer le couvre-charnière supérieur, tel qu'indiqué sur l'illustration de la charnière supérieure.
 

**Style 1 - Modèles avec commandes manuelles -** Retirer les pièces pour la charnière supérieure, tel qu'indiqué à l'illustration de la charnière supérieure.

**Style 2 - Modèles avec commandes électroniques -** Déconnecter la fiche de câblage située au-dessus de la charnière en insérant un tournevis à lame plate ou votre ongle entre les deux sections. Voir l'illustration des connexions. Enlever les pièces de la charnière supérieure tel qu'indiqué à l'illustration de la charnière supérieure.
4. Soulever la porte du congélateur pour la séparer de la caisse.
5. Enlever les pièces de la charnière centrale - voir l'illustration de la charnière centrale. Soulever la porte du réfrigérateur pour la séparer de la caisse.
6. Enlever les pièces de la charnière inférieure - voir l'illustration de la charnière inférieure.

### Réinstallation - Portes et charnières

**REMARQUE :** Si on inverse le sens d'ouverture de la porte, considérer l'image dans le sens inverse.

1. Replacer les pièces de la charnière inférieure tel qu'illustré. Resserrer les vis. Réinstaller la porte du réfrigérateur.
 

**REMARQUE :** Prévoir un support additionnel des portes pendant le déplacement des charnières. La force d'attraction des aimants des portes ne suffit pas à les maintenir en place.
2. Assembler les pièces de la charnière centrale tel qu'illustré et serrer les vis. Voir l'illustration de la charnière centrale. Réinstaller la porte du congélateur.
3. Réunir les pièces de la charnière supérieure tel qu'illustré. Voir l'illustration de **style 1** ou de **style 2**, selon le modèle.
 

**Style 1 - Modèles à commandes manuelles -** Réinstaller la cale et la charnière. Ne pas complètement serrer les vis.

**Style 2 - Modèles à commandes électroniques -** Réinstaller la cale et la charnière. Rebrancher le faisceau de câblage.
4. Aligner correctement les portes au niveau du bas de la porte du compartiment de congélation et du sommet de la porte du réfrigérateur. Serrer toutes les vis et remettre en place le couvercle de la charnière. Voir l'illustration de la charnière supérieure.

## ⚠ AVERTISSEMENT



### Risque de choc électrique

Brancher sur une prise à 3 alvéoles reliée à la terre.

Ne pas enlever la broche de liaison à la terre.

Ne pas utiliser un adaptateur.

Ne pas utiliser un câble de rallonge.

Le non-respect de ces instructions peut causer un décès, un incendie ou un choc électrique.

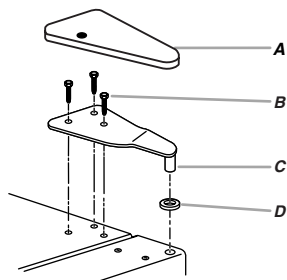
2. Réinitialiser les commandes. Voir "Utilisation de la/des commande(s)".
3. Réinstaller l'ensemble des pièces amovibles dans les portes et les aliments dans le réfrigérateur.

1. Brancher sur une prise à 3 alvéoles reliée à la terre.

### Style 1 - Commande manuelle

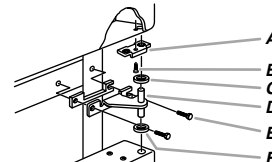
## Dépose et réinstallation des portes

### Charnière supérieure



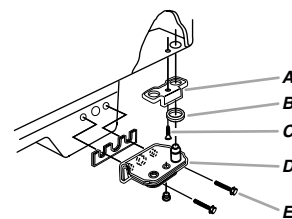
- A. Couvercle de la charnière supérieure
- B. Vis de charnière à tête hexagonale de  $\frac{5}{16}$ "
- C. Charnière supérieure
- D. Cale

### Charnière centrale



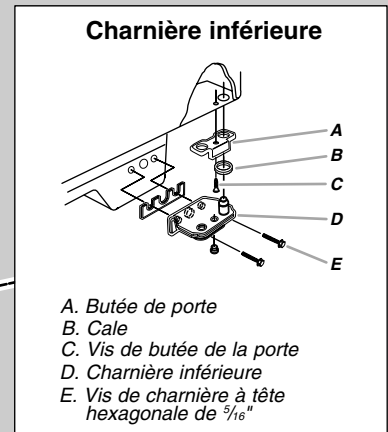
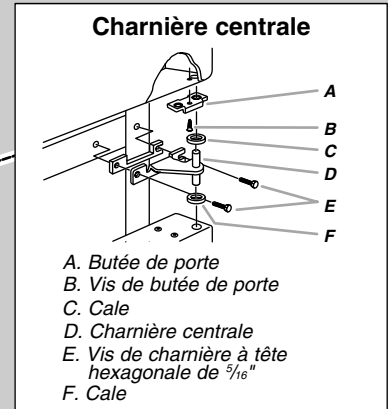
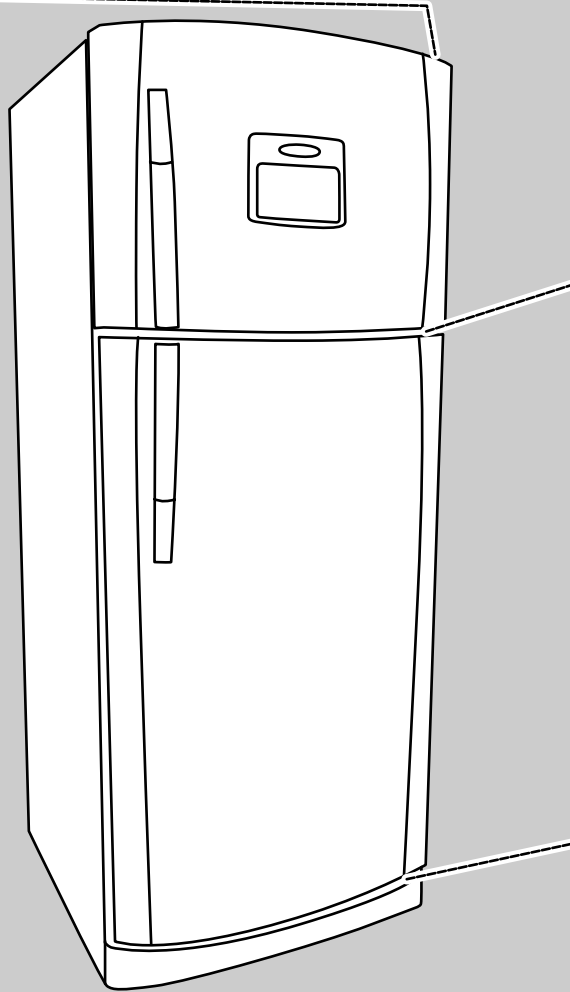
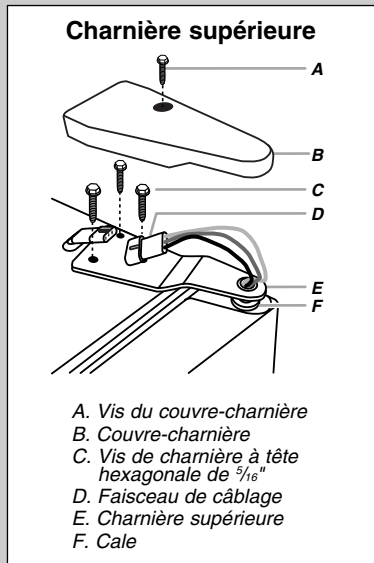
- A. Butée de porte
- B. Vis de butée de porte
- C. Cale
- D. Charnière centrale
- E. Vis de charnière à tête hexagonale de  $\frac{5}{16}$ "
- F. Cale

### Charnière inférieure



- A. Butée de porte
- B. Cale
- C. Vis de butée de la porte
- D. Charnière inférieure
- E. Vis de charnière à tête hexagonale de  $\frac{5}{16}$ "

## Dépose et réinstallation des portes



## Ajustement des portes

Votre réfrigérateur comporte deux roulettes réglables à l'avant – l'une du côté droit et l'autre du côté gauche. Si votre réfrigérateur semble instable ou si vous désirez que les portes se ferment plus facilement, faire le réglage de l'inclinaison du réfrigérateur en suivant les instructions ci-dessous.

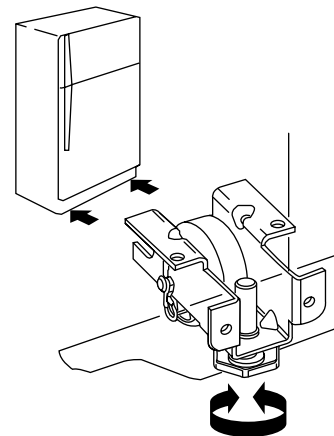
Selon votre modèle, le réfrigérateur peut disposer de pieds de nivellement (**Style 1**) ou de vis de nivellement (**Style 2**). Ils font partie d'un montage de roulettes avant qui sont à la base du réfrigérateur d'un côté et de l'autre.

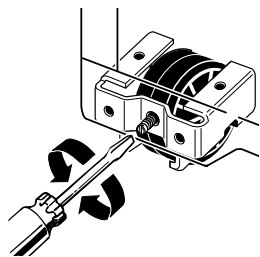
1. Tourner les pieds ou vis de nivellement vers la droite pour soulever ce côté du réfrigérateur ou vers la gauche pour abaisser ce côté. Plusieurs tours peuvent être nécessaires pour régler l'inclinaison du réfrigérateur.

**REMARQUE :** Si une autre personne pousse le haut du réfrigérateur, le poids devient moins lourd sur les vis de nivellement et les roulettes, ce qui rend plus facile l'ajustement des vis.

2. Ouvrir à nouveau les deux portes et vérifier qu'elles ferment aussi facilement que vous le désirez. Si ce n'est pas le cas, incliner le réfrigérateur un peu plus vers l'arrière en tournant les deux vis de nivellement vers la droite. Plusieurs tours peuvent être nécessaires et il convient de tourner les deux vis de nivellement de façon égale.

### Style 1





3. À l'aide d'un niveau, s'assurer que le réfrigérateur est encore d'aplomb dans le sens transversal. Le réajuster au besoin.

## UTILISATION DU RÉFRIGÉRATEUR

### Utilisation des commandes

Le réfrigérateur peut être équipé de commandes manuelles ou de commandes électroniques. Suivre les instructions relatives au modèle utilisé.

#### IMPORTANT :

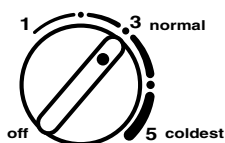
- Attendre 24 heures pour que le réfrigérateur refroidisse complètement avant d'y placer des aliments. Si on ajoute des aliments alors que le réfrigérateur n'a pas complètement refroidi, les aliments risquent de s'abîmer.
- **REMARQUE :** Le fait d'ajuster les commandes de température du réfrigérateur et du congélateur à un réglage plus froid que le réglage recommandé ne refroidira pas les compartiments plus rapidement.
- Les réglages recommandés devraient être corrects pour une utilisation domestique normale du réfrigérateur. Les réglages sont faits correctement lorsque le lait ou le jus sont aussi froids que vous l'aimez et lorsque la crème glacée est ferme.
- Si la température est trop tiède ou trop froide dans le réfrigérateur ou le congélateur, s'assurer d'abord que les événements ne sont pas bloqués avant de régler les commandes.

### Commande manuelle

(sur certains modèles)

Pour votre commodité, les commandes sont pré-réglées à l'usine. Lors de l'installation initiale du réfrigérateur, s'assurer que les commandes sont toujours pré-réglées au réglage recommandé tel qu'illustré.

#### Réglage recommandé "3"



#### Désactivation :

Tourner la commande du réfrigérateur au mot OFF (arrêt). Votre réfrigérateur ne se refroidira pas si la commande du réfrigérateur est réglée à OFF (arrêt).

#### Réglage de commande manuelle

S'il est nécessaire d'ajuster les températures, utiliser les réglages indiqués au tableau ci-dessous comme guide. Sur les modèles à deux commandes, ajuster d'abord la température du réfrigérateur. Attendre au moins 24 heures entre les ajustements, puis révéifier les températures.

#### CONDITION/RAISON : AJUSTEMENT :

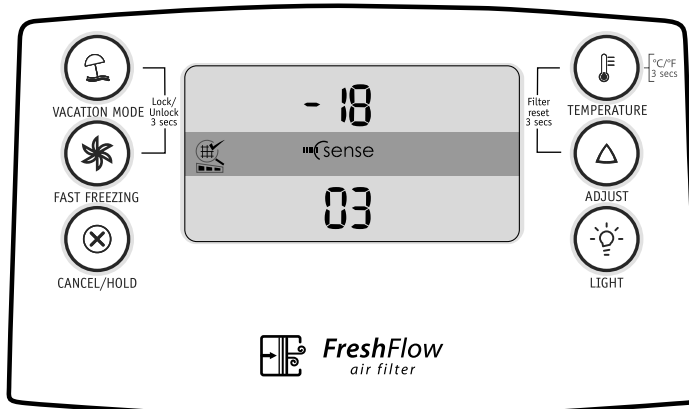
RÉFRIGÉRATEUR trop tiède	Commande de TEMPÉRATURE à un degré plus haut
CONGÉLATEUR trop tiède / trop peu de glaçons	Commande de TEMPÉRATURE à un degré plus haut
RÉFRIGÉRATEUR trop froid	Commande de TEMPÉRATURE un degré plus bas
CONGÉLATEUR trop froid	Commande de TEMPÉRATURE un degré plus bas

### Tableau de commande électronique (sur certains modèles)

Le réfrigérateur comporte un tableau de commande électronique facile d'utilisation situé à l'avant de la porte du compartiment de congélation.

- Pour maintenir l'alimentation électrique, l'affichage s'assombrit et reste sombre jusqu'à ce que l'on appuie sur un bouton. Une fois que l'on a appuyé sur un bouton, l'écran d'affichage s'éclaire pour permettre à l'utilisateur de sélectionner la caractéristique de commande souhaitée.
- Le tableau de commande électronique affiche soit la température interne de chaque compartiment.
- Pour votre commodité, les commandes du réfrigérateur sont pré-réglées à l'usine. Lors de l'installation initiale du réfrigérateur, s'assurer que les commandes sont toujours pré-réglées au réglage recommandé tel qu'illustré.
- Les températures sont affichées en Celsius par défaut. Pour passer au système Fahrenheit, appuyer sur le bouton Temperature (température) pendant 3 secondes.

#### Réglages recommandés



#### Désactivation :

Débrancher le réfrigérateur.

#### Réglage des commandes de température

- Lors du réglage de température dans un compartiment, la commande agit de manière à équilibrer la température de l'autre compartiment pour atteindre un équilibre entre énergie et performance.
- Ne pas ajuster les commandes de température des compartiments de réfrigération ou de congélation de plus d'un cran à la fois, sauf lors de la mise en marche initiale du réfrigérateur. Attendre 24 heures entre les réglages pour que la température puisse se stabiliser.

## Pour ajuster les points de réglage de température :

1. Appuyer sur le bouton de température. Les deux sections de l'écran d'affichage commencent à clignoter. Si ce n'est pas le cas, appuyer de nouveau sur le bouton Temperature (température).
2. Appuyer sur le bouton Adjust (réglage) jusqu'à ce que la température souhaitée apparaisse.
3. Appuyer de nouveau sur le bouton de température pour régler la température ou attendre 15 secondes pour que les nouveaux réglages soient automatiquement sauvegardés. L'afficheur cessera alors de clignoter.



TEMPERATURE

CONDITION/RAISON :	AJUSTEMENT :
RÉFRIGÉRATEUR trop tiède	Commande de TEMPÉRATURE à un degré plus haut
CONGÉLATEUR trop tiède / trop peu de glaçons	Commande de TEMPÉRATURE à un degré plus haut
RÉFRIGÉRATEUR trop froid	Commande de TEMPÉRATURE un degré plus bas
CONGÉLATEUR trop froid	Commande de TEMPÉRATURE un degré plus bas

## Autres caractéristiques du tableau de commande électronique

### Mode vacances

La caractéristique du mode vacances permet à l'utilisateur de faire fonctionner le réfrigérateur tout en réalisant un maximum d'économies d'énergie pendant son absence.

Le mode vacances ne modifie pas les réglages de température précédents; il les modifie simplement pendant que la caractéristique est activée.

**REMARQUE :** Aucune autre caractéristique ne peut être activée lorsque la commande est en mode vacances.

- Appuyer sur le bouton Fast Freezing (congélation rapide) pour régler le congélateur au réglage de température le plus bas. L'écran d'affichage affiche des flèches pointées vers le bas pour indiquer que le congélateur est en cours de refroidissement rapide.
- Appuyer sur le bouton Cancel/Hold (annulation/pause) pour revenir aux réglages de fonctionnement normal. Le mode vacances est automatiquement désactivé lorsqu'il détecte que les portes ont été ouvertes et fermées sept (ou plus) fois.



VACATION MODE

### Congélation rapide

La caractéristique de congélation rapide augmente la production de glaçons, ce qui est utile en période d'utilisation intense de glaçons.

- Appuyer sur le bouton Fast Freezing (congélation rapide) pour régler le congélateur au réglage de température le plus bas. L'écran d'affichage affiche des flèches pointées vers le bas pour indiquer que le congélateur est en cours de refroidissement rapide.

- Appuyer sur le bouton Cancel/Hold (annulation/attente) pour revenir au réglage normal du congélateur.



FAST FREEZING

### Mode Hold (mode attente)

La caractéristique du mode d'attente permet de garder la porte du réfrigérateur ouverte pendant 15 minutes, après avoir fait les courses sans affecter le fonctionnement du réfrigérateur ou entraîner la perte de performance en raison de l'ouverture de la porte.

Le mode d'attente ne modifie pas les réglages de température du réfrigérateur.

- Appuyer sur le bouton Cancel/Hold (annulation/attente). Les informations sur l'écran d'affichage commencent à clignoter.
- Appuyer de nouveau sur le bouton Cancel/Hold (annulation/attente) pour revenir aux réglages de température effectués précédemment aussi vite que possible.



CANCEL/HOLD

### Verrouillage/déverrouillage

La caractéristique Lock (verrouillage) permet de verrouiller les boutons de commande afin d'éviter que de jeunes enfants ou animaux domestiques ne modifient involontairement des réglages.

- Appuyer simultanément sur les commandes Vacation Mode (mode vacances) et Fast Freezing (congélation rapide) pendant 3 secondes. Un signal d'avertissement et l'icône d'une clé apparaissent sur l'écran d'affichage.

**REMARQUE :** Si l'on tente d'appuyer sur une commande alors que le réfrigérateur est au mode Lock (verrouillage), un bip retentit et les icônes clignotent.

- Appuyer simultanément sur les commandes Vacation Mode (mode vacances) et Fast Freezing (congélation rapide) pendant 3 secondes ou jusqu'à ce que la commande émette un bip et que le signal d'avertissement et l'icône de clé disparaissent de l'écran d'affichage.



VACATION MODE



FAST FREEZING

### Alarme de porte entrouverte

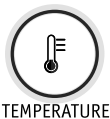
L'alarme de porte entrouverte retentit lorsqu'une porte de réfrigérateur ou de congélateur reste ouverte pendant plus de 2 minutes et que la température des compartiments augmente de 4°F ou de 6°F respectivement. Un signal d'avertissement et l'icône d'une porte ouverte apparaissent sur l'écran d'affichage.

Pour éteindre l'alarme, fermer la porte ou appuyer sur le bouton Cancel/Hold (annulation/attente).

## Réinitialisation du filtre à air

Redémarrer la caractéristique de suivi de l'état du filtre à air à chaque remplacement du filtre à air. Voir "Remplacement du filtre à air".

- Appuyer simultanément sur les commandes Temperature (température) et Adjust (réglage) pendant 3 secondes.



- Lorsque le témoin d'état est réinitialisé, la barre complète apparaît sous l'icône de filtre sur l'écran d'affichage, tel qu'illustré.



## Machine à glaçons

(sur certains modèles - accessoire)

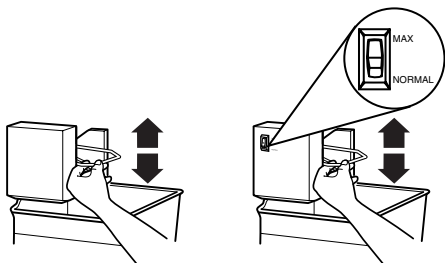
### Mise en marche/arrêt de la machine à glaçons

**REMARQUE :** Ne pas forcer le bras de commande en broche vers le haut ou vers le bas.

- Pour mettre la machine à glaçons en marche, il suffit d'abaisser le bras de commande en broche.

**REMARQUE :** Votre machine à glaçons a un arrêt automatique. Au fur et à mesure de la fabrication de la glace, les glaçons remplissent le bac d'entreposage de glaçons. Les glaçons soulèvent le bras de commande en broche à la position d'ARRÊT (élevée).

- Pour un arrêt manuel, soulever le bras de commande en broche à la position d'ARRÊT (élevée) et attendre le dé clic pour s'assurer que la machine à glaçons ne continuera pas à fonctionner.



### Taux de production de glaçons

- Production NORMALE de glaçons : La machine à glaçons devrait produire environ 8 à 12 lots de glaçons par période de 24 heures. Si les glaçons ne sont pas fabriqués assez rapidement, tourner la commande du congélateur vers un chiffre plus élevé (plus froid) par étapes de un demi-numéro. (Par exemple, si la commande est à 3, la déplacer entre 3 et 4.) Attendre 24 heures et, si nécessaire, tourner graduellement la commande du congélateur au réglage le plus élevé, en attendant 24 heures entre chaque augmentation.
- Production MAXIMALE de glaçons (sur certains modèles) : La machine à glaçons devrait produire environ de 16 à 20 lots de glaçons par période de 24 heures. Si votre réfrigérateur est doté de la caractéristique de production maximale de glaçons, pousser le commutateur à MAX.

## À noter

- Attendre 24 heures pour obtenir la première quantité de glaçons. Jeter les trois premières quantités de glaçons produites.
- La qualité de vos glaçons sera seulement aussi bonne que la qualité de l'eau fournie à votre machine à glaçons. Éviter de brancher la machine à glaçons à un approvisionnement d'eau adoucie. Les produits chimiques adoucisseurs d'eau (tels que le sel) peuvent endommager des pièces de la machine à glaçons et causer une piètre qualité des glaçons. Si une alimentation d'eau adoucie ne peut pas être évitée, s'assurer que l'adoucisseur d'eau fonctionne bien et qu'il est bien entretenu.
- Ne pas garder quoi que ce soit sur le dessus de la machine à glaçons ou dans le bac à glaçons.

# ENTRETIEN DU RÉFRIGÉRATEUR

## Nettoyage

### ⚠ AVERTISSEMENT



#### Risque d'explosion

**Utiliser un produit de nettoyage ininflammable.**

**Le non-respect de cette instruction peut causer un décès, une explosion ou un incendie.**

Les sections de réfrigération et de congélation se dégivrent automatiquement. Toutefois, nettoyer les deux sections au moins une fois par mois pour empêcher une accumulation d'odeurs. Essuyer les renversements immédiatement.

#### IMPORTANT :

- Comme l'air circule entre les deux sections, toutes les odeurs formées dans une section seront transférées à l'autre. Vous devez nettoyer à fond les deux sections pour éliminer les odeurs. Pour empêcher le transfert d'odeurs et l'assèchement des aliments, envelopper ou recouvrir hermétiquement les aliments.
- Pour les modèles en acier inoxydable, l'acier inoxydable est résistant à la corrosion et non anticorrosion. Afin d'éviter l'oxydation de l'acier inoxydable, veiller à ce que les surfaces restent propres en suivant les instructions de nettoyage suivantes.

#### Pour nettoyer le réfrigérateur :

**REMARQUE :** Ne pas utiliser de nettoyants abrasifs tels que les nettoyants à vitre en atomiseurs, nettoyants à récuser, liquides inflammables, cires nettoyantes, détergents concentrés, eaux de Javel ou nettoyants contenant du pétrole sur les surfaces extérieures (portes et caisse), pièces en plastique, les garnitures intérieures, garnitures de portes ou joints. Ne pas utiliser d'essuie-tout, tampons à récuser ou autre outil de nettoyage abrasif.

1. Débrancher le réfrigérateur ou déconnecter la source de courant électrique.
2. Laver à la main, rincer et sécher les pièces amovibles et les surfaces internes à fond. Utiliser une éponge propre ou un linge doux et un détergent doux dans de l'eau tiède.

### 3. Nettoyer les surfaces extérieures.

**Métal peint :** Laver les parties métalliques extérieures à l'aide d'un chiffon ou d'une éponge doux/douce et propre et d'un détergent doux dans de l'eau tiède. Rincer les surfaces avec une eau propre et tiède et sécher immédiatement afin d'éviter d'éventuelles taches laissées par l'eau.

**Acier inoxydable :** Laver les surfaces en acier inoxydable à l'aide d'un chiffon ou d'une éponge doux/douce et propre et d'un détergent doux dans de l'eau tiède. Rincer les surfaces avec une eau propre et tiède et sécher immédiatement afin d'éviter d'éventuelles taches laissées par l'eau.

**REMARQUE :** Lors du nettoyage de l'acier inoxydable, toujours frotter dans le sens du grain afin d'éviter des égratignures.

### 4. Nettoyer régulièrement les serpentins du condenseur. Il se peut que les serpentins aient besoin d'être nettoyés aussi souvent qu'à tous les deux mois. Ce nettoyage pourrait aider à économiser de l'énergie.

- Éloigner le réfrigérateur du mur. Voir la section "Déballage du réfrigérateur".
- Nettoyer à l'aspirateur les serpentins lorsqu'ils sont sales ou poussiéreux.
- Remettre le réfrigérateur en position. S'assurer qu'il y a un espace d'au moins 1" (2,5 cm) entre l'arrière de la caisse et le mur.
- Vérifier l'aplomb du réfrigérateur.

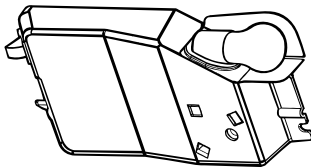
### 5. Brancher le réfrigérateur ou reconnecter la source de courant électrique.

## Remplacement des ampoules d'éclairage

**REMARQUE :** Votre réfrigérateur ne pourra pas accommoder toutes les ampoules pour les appareils ménagers. S'assurer de faire le remplacement par une ampoule de grosseur, de forme et de puissance semblables (d'une puissance maximale de 40 watts).

### Lumière du réfrigérateur

1. Débrancher le réfrigérateur ou débrancher la source de courant électrique.
2. Passer la main derrière le tableau de commande et dévisser l'ampoule.
3. Remplacer l'ampoule par une ampoule de 40 watts pour appareils ménagers.
4. Brancher le réfrigérateur ou reconnecter la source de courant électrique.



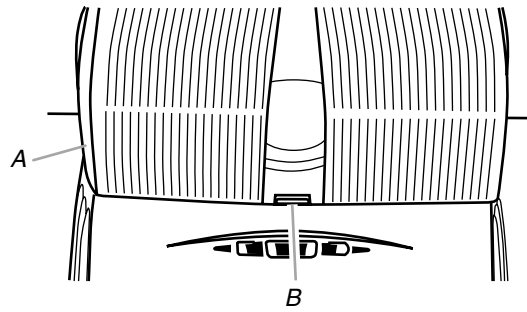
### Lumière du congélateur (sur certains modèles)

**REMARQUE :** Votre réfrigérateur ne pourra pas accommoder toutes les ampoules pour les appareils ménagers. S'assurer de remplacer l'ampoule par une ampoule de taille, de forme et de puissance semblables (d'une puissance maximale de 15 watts).

1. Débrancher le réfrigérateur ou déconnecter la source de courant électrique.
2. Retirer la tablette du congélateur.
3. À l'aide d'un tournevis à lame plate, libérer le verrou au centre du protège-ampoule.
4. Saisir les deux extrémités du protège-ampoule et appuyer doucement dessus pour le libérer du couvercle de l'évaporateur.

### 5. Remplacer l'ampoule grillée par une ampoule T25 pour appareils ménagers de 15 watts avec une base E14.

**REMARQUE :** Cette ampoule pour appareils ménagers peut être commandée auprès de notre service entretien ou d'un fournisseur de pièces détachées pour appareils ménagers.



A. Protège-ampoule  
B. Verrou de protège-ampoule

### 6. Remettre en place le protège-ampoule.

### 7. Brancher le réfrigérateur ou reconnecter la source de courant électrique.

## Remplacement du filtre à air

Le réfrigérateur comporte un filtre à air FreshFlow qui se trouve dans la grille de ventilation située dans le mur intérieur au-dessus du couvercle du bac à légumes.

Le filtre à air FreshFlow combat les odeurs provenant des aliments et est jusqu'à 15 fois plus efficace que le bicarbonate de soude, qui aide à maintenir un environnement plus propre à l'intérieur du réfrigérateur.

**IMPORTANT :** Le filtre à air jetable doit être remplacé tous les 6 mois car il perd progressivement ses propriétés anti-odeurs.

### État du filtre à air

- L'icône du filtre à air sur l'affichage du tableau de commande indique lorsque le moment est venu de changer le filtre à air. La barre du témoin de l'état du filtre situé sous l'icône diminue et disparaît progressivement, et le témoin commence alors à clignoter.
- Après avoir changé le filtre à air, appuyer simultanément sur les commandes de température et de réglage pendant 3 secondes. La barre de témoin d'état apparaît sur l'afficheur. Voir "Utilisation des commandes".

**REMARQUE :** Il n'est pas nécessaire d'attendre que la barre de témoin disparaisse; on peut réinitialiser la caractéristique de suivi de l'état selon le besoin.

### Remplacement du filtre à air

Pour commander un filtre à air de rechange, contacter Whirlpool à l'aide des renseignements relatifs à l'assistance ou au service qui se trouvent à la suite de la garantie.

1. À l'aide de l'index, appuyer sur l'onglet supérieur de la cartouche du filtre puis tirer doucement jusqu'à ce que la cartouche soit libérée.
2. Insérer le filtre neuf dans la cavité et pousser doucement jusqu'à ce qu'il s'emboîte.



# DÉPANNAGE

Essayer d'abord les solutions suggérées ici ou visiter notre site Internet et la FAQ (foire aux questions) pour éviter le coût d'un appel de service.

Aux É.-U., [www.whirlpool.com](http://www.whirlpool.com) Au Canada, [www.whirlpool.ca](http://www.whirlpool.ca)

## Fonctionnement du réfrigérateur

### Le réfrigérateur ne fonctionne pas

#### **AVERTISSEMENT**



##### Risque de choc électrique

**Brancher sur une prise à 3 alvéoles reliée à la terre.**

**Ne pas enlever la broche de liaison à la terre.**

**Ne pas utiliser un adaptateur.**

**Ne pas utiliser un câble de rallonge.**

**Le non-respect de ces instructions peut causer un décès, un incendie ou un choc électrique.**

- **Le cordon d'alimentation électrique est-il débranché?** Brancher sur une prise à 3 alvéoles reliée à la terre.
- **La prise électrique fonctionne-t-elle?** Brancher une lampe pour voir si la prise fonctionne.
- **Un fusible est-il grillé ou un disjoncteur s'est-il ouvert?** Remplacer le fusible ou réenclencher le disjoncteur. Si le problème persiste, appeler un électricien.
- **La(les) commande(s) est(sont)-elle(s) en marche?** S'assurer que la commande du réfrigérateur est bien en marche. Voir "Utilisation de la(des) commande(s)".
- **S'agit-il d'une nouvelle installation?** Accorder 24 heures après l'installation pour que le réfrigérateur se refroidisse complètement.

**REMARQUE :** Régler la(les) commande(s) de température sur la position la plus froide ne fera pas refroidir le réfrigérateur plus rapidement.

### Le moteur semble trop tourner

Il se peut que votre nouveau réfrigérateur fonctionne plus longtemps que l'ancien grâce à son compresseur à haute efficacité et ses ventilateurs. L'appareil peut fonctionner plus longtemps encore si la température de la pièce est chaude, si une importante quantité de nourriture y est ajoutée, si la porte est fréquemment ouverte ou si elle a été laissée ouverte.

### Le réfrigérateur semble bruyant

Le bruit des réfrigérateurs a été réduit au cours des années. Du fait de cette réduction, il est possible d'entendre des bruits intermittents venant de votre nouveau réfrigérateur qui n'avaient pas été décelés avec votre ancien modèle. Voici une liste des sons normaux accompagnés d'explications.

- **Pulsation** - les ventilateurs/le compresseur se règlent afin d'optimiser la performance.
- **Sifflement/cliquetis** - écoulement de liquide réfrigérant, mouvement des conduites d'eau ou d'objets posés sur le dessus du réfrigérateur.
- **Bruit d'éclatement** - contraction/expansion des parois internes, particulièrement lors du refroidissement initial.
- **Bruit d'écoulement d'eau/égouttement/grésillement** - peut être entendu lorsque la glace fond lors du programme de dégivrage et que l'eau s'écoule dans le plateau de dégivrage. Un égouttement d'eau peut être entendu dans la tuyauterie pendant quelques minutes après l'arrêt du réfrigérateur.
- **Léger souffle/bourdonnement** - ventilateur et déplacement de l'air.
- **Signal sonore** - alarme de porte entrouverte (sur certains modèles) - Si la (les) porte(s) restent ouvertes pendant plus de 2 minutes, l'alarme de porte entrouverte commence à sonner, jusqu'à ce que la (les) porte(s) soit(soient) fermée(s).

### La porte ne se ferme pas complètement

- **La porte est-elle bloquée en position ouverte?** Déplacer les emballages d'aliments pour libérer la porte.
- **Un compartiment ou une tablette bloquent-ils le passage?** Replacer le compartiment ou la tablette en position correcte.
- **Le couvercle du bac à légumes fait-il obstruction?** Vérifier que le couvercle du bac à légumes est enfoncé complètement de sorte que l'arrière repose sur les supports.

### La porte est difficile à ouvrir

#### **AVERTISSEMENT**



##### Risque d'explosion

**Utiliser un produit de nettoyage ininflammable.**

**Le non-respect de cette instruction peut causer un décès, une explosion ou un incendie.**

- **Les joints d'étanchéité sont-ils sales ou collants?** Nettoyer les joints et les surfaces de contact au savon doux et à l'eau tiède. Rincer et sécher avec un linge doux.

---

## Température et humidité

---

### La température est trop élevée

---

- **S'agit-il d'une nouvelle installation?** Accorder 24 heures après l'installation pour que le réfrigérateur se refroidisse complètement.
- **La porte est-elle ouverte fréquemment ou a-t-elle été laissée ouverte?** Ceci permet à l'air chaud de pénétrer dans le réfrigérateur. Réduire le nombre d'ouvertures de la porte et la maintenir complètement fermée.
- **Une importante quantité d'aliments a-t-elle été ajoutée?** Accorder quelques heures pour que le réfrigérateur revienne à sa température normale.
- **La(Les) commande(s) est(sont)-elle(s) correcte(s) pour les conditions existantes?** Ajuster la(les) commande(s) à un réglage plus froid. Vérifier la température au bout de 24 heures. Voir "Utilisation de la(des) commande(s)".

---

### Il y a une accumulation d'humidité à l'intérieur

---

**REMARQUE :** Une certaine accumulation d'humidité est normale.

- **La pièce est-elle humide?** Ceci contribue à l'accumulation de l'humidité.
- **La porte est ouverte fréquemment ou a été laissée ouverte?** Ceci permet à l'air humide de pénétrer dans le réfrigérateur. Réduire le nombre d'ouvertures de la porte et la maintenir complètement fermée.

---

## Glaçons et eau

---

### La machine à glaçons ne produit pas ou pas suffisamment de glaçons

---

- **Le réfrigérateur est-il connecté à l'alimentation en eau et le robinet d'arrêt d'eau est-il ouvert?** Brancher le réfrigérateur à l'alimentation en eau et ouvrir le robinet d'arrêt d'eau complètement.
- **La canalisation de la source d'eau du domicile comporte-t-elle une déformation?** Une déformation dans la canalisation peut réduire l'écoulement d'eau. Redresser la canalisation d'eau.
- **La machine à glaçons est-elle allumée?** S'assurer que le bras de commande en broche ou l'interrupteur (selon le modèle) est en position ON.

- **S'agit-il d'une nouvelle installation?** Attendre 24 heures après l'installation pour la production de glaçons. Attendre 72 heures pour le commencement de la production complète de glaçons.
- **Une grande quantité de glaçons vient-elle d'être enlevée?** Attendre 24 heures pour que la machine à glaçons produise plus de glaçons.
- **Un glaçon est-il coincé dans le bras éjecteur?** Enlever le glaçon du bras éjecteur avec un ustensile en plastique.
- **Un système de filtration de l'eau à osmose inverse est-il connecté à votre canalisation d'eau froide?** Ceci peut diminuer la pression de l'eau. Voir "Spécifications de l'alimentation en eau".

---

### Les glaçons sont creux ou petits

---

**REMARQUE :** Cela indique une faible pression de l'eau.

- **La valve de la canalisation d'eau n'est-elle pas complètement ouverte?** Ouvrir la valve d'eau complètement.
- **La canalisation de la source d'eau du domicile comporte-t-elle une déformation?** Une déformation dans la canalisation peut réduire l'écoulement d'eau. Redresser la canalisation d'eau.
- **Un système de filtration de l'eau à osmose inverse est-il connecté à votre canalisation d'eau froide?** Ceci peut diminuer la pression de l'eau. Voir "Spécifications de l'alimentation en eau".
- **Reste-t-il des questions concernant la pression de l'eau?** Appeler un plombier agréé et qualifié.

---

### Goût, odeur ou couleur grise des glaçons

---

- **Les raccords de plomberie sont-ils neufs?** Des raccords de plomberie neufs peuvent causer une décoloration et un mauvais goût des glaçons.
- **Les glaçons ont-ils été gardés trop longtemps?** Jeter les glaçons. Laver le compartiment à glaçons. Accorder 24 heures pour la fabrication de nouveaux glaçons.
- **Y a-t-il un transfert d'odeurs de nourriture?** Utiliser des emballages étanches à l'air et à l'humidité pour conserver les aliments.
- **L'eau contient-elle des minéraux (tels que le soufre)?** L'installation d'un filtre peut être requise afin d'enlever les minéraux.

---

# GARANTIE DE GROS APPAREIL MÉNAGER WHIRLPOOL CORPORATION

---

## GARANTIE LIMITÉE

Pendant un an à compter de la date d'achat, lorsque ce gros appareil ménager est utilisé et entretenu conformément aux instructions jointes à ou fournies avec le produit, Whirlpool Corporation ou Whirlpool Canada LP (ci-après désignées "Whirlpool") paiera pour les pièces spécifiées par l'usine et la main-d'œuvre pour corriger les vices de matériaux ou de fabrication qui existaient déjà lorsque ce gros appareil ménager a été acheté. Le service doit être fourni par une compagnie de service désignée par Whirlpool. LE SEUL ET EXCLUSIF RECOURS DU CLIENT DANS LE CADRE DE LA PRÉSENTE GARANTIE LIMITÉE CONSISTE EN LA RÉPARATION PRÉVUE CI-DESSUS. Cette garantie limitée est valide uniquement aux États-Unis ou au Canada et s'applique exclusivement lorsque le gros appareil ménager est utilisé dans le pays où il a été acheté. Une preuve de la date d'achat d'origine est exigée pour obtenir un service dans le cadre de la présente garantie limitée.

---

## ÉLÉMENTS EXCLUS DE LA GARANTIE

La présente garantie limitée ne couvre pas :

1. Les pièces de rechange ou la main-d'œuvre lorsque ce gros appareil ménager est utilisé à des fins autres que l'usage domestique unifamilial normal ou lorsque les instructions d'installation et/ou les instructions de l'opérateur ou de l'utilisateur fournies ne sont pas respectées.
  2. Les visites de service pour rectifier l'installation du gros appareil ménager, montrer à l'utilisateur comment utiliser le gros appareil ménager, remplacer ou réparer des fusibles du domicile ou rectifier le câblage ou la plomberie du domicile.
  3. Les visites de service pour réparer ou remplacer les ampoules électriques, les filtres à air ou les filtres à eau de l'appareil. Les pièces consommables ne sont pas couvertes par la garantie.
  4. Les dommages imputables à : accident, modification, usage impropre ou abusif, incendie, inondation, actes de Dieu, installation fautive ou installation non conforme aux codes d'électricité ou de plomberie, ou l'utilisation de produits non approuvés par Whirlpool.
  5. Les défauts d'apparence, notamment les éraflures, traces de choc, fissures ou tout autre dommage subi par le fini du gros appareil ménager, à moins que ces dommages ne résultent de vices de matériaux ou de fabrication et ne soient signalés à Whirlpool dans les 30 jours suivant la date d'achat.
  6. Toute perte d'aliments ou de médicaments due à une défaillance du réfrigérateur ou du congélateur.
  7. Le ramassage et la livraison. Ce gros appareil ménager est conçu pour être réparé à domicile.
  8. Les réparations aux pièces ou systèmes résultant d'une modification non autorisée faite à l'appareil.
  9. Les frais de déplacement et de transport pour le service du produit si votre gros appareil ménager est situé dans une région éloignée où un fournisseur de services d'entretien ou de réparation Whirlpool autorisé n'est pas disponible.
  10. La dépose et la réinstallation de votre gros appareil ménager si celui-ci est installé dans un endroit inaccessible ou n'est pas installé conformément aux instructions d'installation fournies par Whirlpool.
  11. Les pièces de rechange ou la main-d'œuvre pour les gros appareils ménagers dont les numéros de modèle/de série ont été enlevés, modifiés ou ne peuvent pas être facilement identifiés.
  12. La décoloration ou l'oxydation des surfaces en acier inoxydable ou encore l'apparition de rouille sur ces surfaces.
- 

## CLAUSE D'EXONÉRATION DE RESPONSABILITÉ AU TITRE DES GARANTIES IMPLICITES

LES GARANTIES IMPLICITES, Y COMPRIS LES GARANTIES APPLICABLES DE QUALITÉ MARCHANDE OU D'APTITUDE À UN USAGE PARTICULIER, SONT LIMITÉES À UN AN OU À LA PLUS COURTE PÉRIODE AUTORISÉE PAR LA LOI. Certains États et provinces ne permettent pas de limitation sur la durée d'une garantie implicite de qualité marchande ou d'aptitude à un usage particulier, de sorte que la limitation ci-dessus peut ne pas être applicable dans votre cas. Cette garantie vous confère des droits juridiques spécifiques, et vous pouvez également jouir d'autres droits qui peuvent varier d'une juridiction à l'autre.

---

## LIMITATION DES RECOURS; EXCLUSION DES DOMMAGES FORTUITS OU INDIRECTS

LE SEUL ET EXCLUSIF RECOURS DU CLIENT DANS LE CADRE DE LA PRÉSENTE GARANTIE LIMITÉE CONSISTE EN LA RÉPARATION PRÉVUE CI-DESSUS. WHIRLPOOL N'ASSUME AUCUNE RESPONSABILITÉ POUR LES DOMMAGES FORTUITS OU INDIRECTS. Certains États et certaines provinces ne permettent pas l'exclusion ou la limitation des dommages fortuits ou indirects, de sorte que ces limitations et exclusions peuvent ne pas être applicables dans votre cas. Cette garantie vous confère des droits juridiques spécifiques, et vous pouvez également jouir d'autres droits qui peuvent varier d'une juridiction à l'autre.

---

Si vous résidez à l'extérieur des 50 États des États-Unis et du Canada, contactez votre marchand Whirlpool autorisé pour déterminer si une autre garantie s'applique.

6/08

---

Pour des informations supplémentaires sur le produit, aux É.-U., visiter [www.whirlpool.com](http://www.whirlpool.com).  
Au Canada, visiter [www.whirlpool.ca](http://www.whirlpool.ca).

Si vous n'avez pas accès à Internet et que vous nécessitez une assistance pendant l'utilisation du produit ou que vous souhaitez prendre un rendez-vous, vous pouvez contacter Whirlpool au numéro ci-dessous.

*Ayez votre numéro de modèle à disposition. Vous pouvez trouver vos numéros de modèle et de série sur la plaque située sur la paroi interne du compartiment de réfrigération.*

Pour assistance ou service aux É.-U., composez le 1-800-253-1301. Au Canada, composez le 1-800-807-6777.

Si vous avez besoin de plus d'assistance, vous pouvez écrire à Whirlpool en soumettant toute question ou problème à l'adresse suivante :

Aux États-Unis :

Whirlpool Brand Home Appliances  
Customer eXperience Center  
553 Benson Road  
Benton Harbor, MI 49022-2692

Au Canada :

Whirlpool Brand Home Appliances  
Centre d'eXpérience à la clientèle  
200 – 6750 Century Ave.  
Mississauga, Ontario L5N 0B7

Dans votre correspondance, veuillez indiquer un numéro de téléphone où l'on peut vous joindre dans la journée.

Veuillez conserver le manuel de l'utilisateur et le numéro de modèle pour référence ultérieure.

**W10280899B**  
**EN/FR PN W10280878B**

© 2010 Whirlpool Corporation.  
All rights reserved.  
Todos los derechos reservados.  
Tous droits réservés.

® Registered Trademark/TM Trademark of Whirlpool, U.S.A., Whirlpool Canada LP Licensee in Canada  
® Marca registrada/TM Marca de comercio de Whirlpool, U.S.A., usada bajo licencia de Whirlpool Canada LP en Canadá  
® Marque déposée/TM Marque de commerce de Whirlpool, U.S.A., emploi sous licence par Whirlpool Canada LP au Canada

6/10  
Printed in Mexico  
Impreso en México  
Imprimé au Mexique